

Spray Guns



SATAjet® X 5500 RP®/HVLP

The revolutionary nozzle system

State-of-the-art paint systems and the latest application recommendations open up new possibilities, but also pose new challenges for professional painters. The SATAjet X 5500 featuring the new X-nozzle system now defines a wholly new application standard for the future.

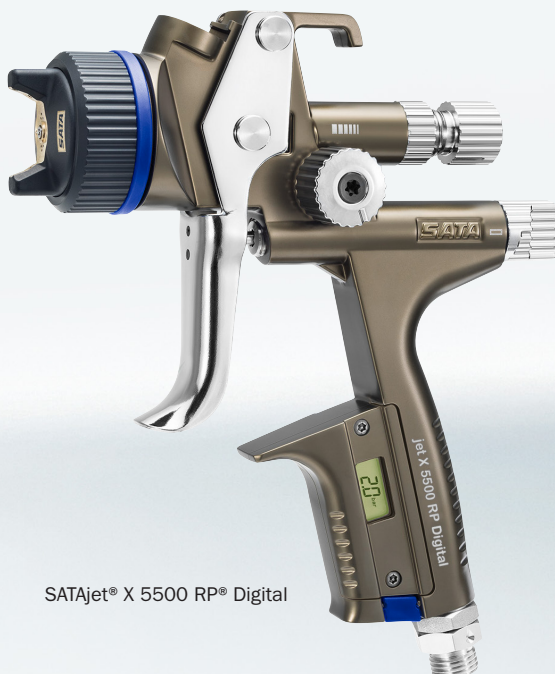
The concept of this nozzle system is easy and straightforward to understand: Both proven application technologies – HVLP and RP – remain available, but now each of them with the additional choice between "I" and "O"-nozzle sets. In line with the increasing nozzle sizes within each of the respective technology (HVLP / RP), the material flow rate increases too with constant increments – which means that the spray fan size and width remain unchanged across the entire nozzle spectrum. In essence, end-users can now rely on a transparent and consistent system which offers them clear and well-structured application options.

The "I"-nozzles produce a parallel spray fan pattern with a minimal dry zone and a drier centre which is ideal for painters preferring a **reduced application speed** and maximum application control during the painting process. The **film build per coat** in comparison to an "O"-nozzle of the same size is **slightly reduced**.

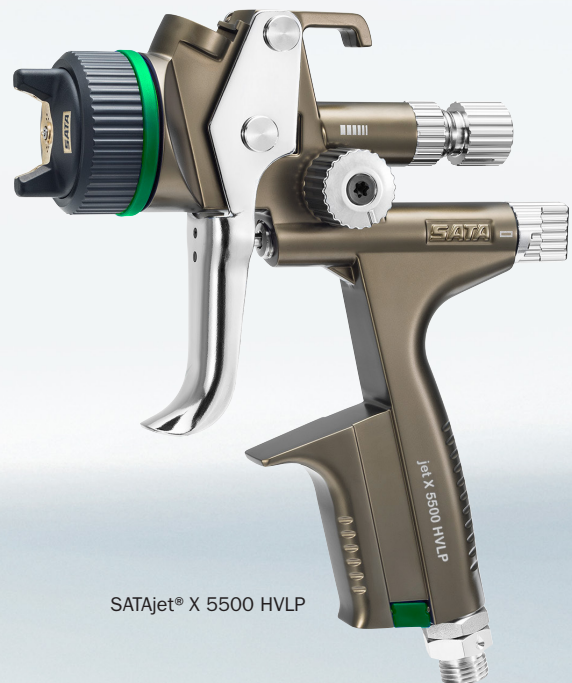
- Parallel spray fan with minimal dry zone
- Improved control during application
- Reduced film build per coat compared to the nozzle set currently in use or the "O"-nozzle

"O"-nozzles do have an oval-shaped spray fan pattern with a larger dry zone and a wet core to accommodate **increased application speed** at the expense of slightly less application control during the painting process. The **film build per coat** in comparison to an "I"-nozzle is **slightly higher**.

- Oval-shaped spray fan with larger dry zone
- Wet core for increased application speed
- Film build per coat slightly higher compared to the "I"-nozzle



SATAjet® X 5500 RP® Digital

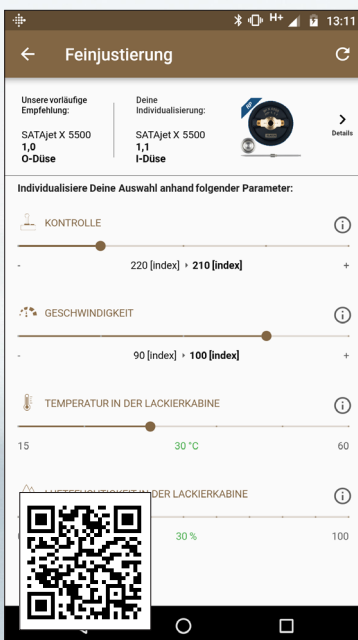


SATAjet® X 5500 HVLP

PRODUCT BENEFITS

- Revolutionary: The X-nozzles are taking atomisation to a whole new level
- Noticeably quieter: Whispering nozzle™ due to optimised air flow geometry, reduced noise level in the relevant sound frequency ranges
- Individual: Matches any application requirement, such as specific characteristics of the paint system, climatic conditions and application method (application speed/application control)
- Precise: Optimised material distribution for enhanced spraying uniformity and atomisation with both spray fan shapes
- Low maintenance: No air distribution insert required, thus also ensuring a much easier and faster cleaning process
- Consistent: Constant fan size across the entire nozzle spectrum (within each respective atomisation technology) with linear increases of the material flow rate
- Efficient: The optimised atomisation concept enables to realise considerable material savings using the same application method as before

Select your favorite nozzle

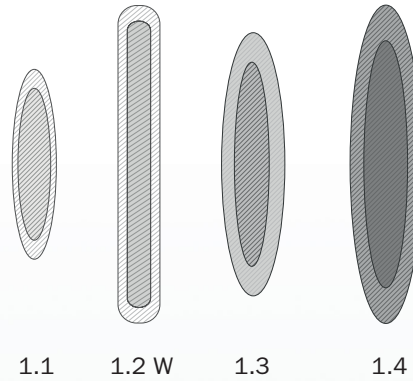


www.sata.com/nozzlefinder



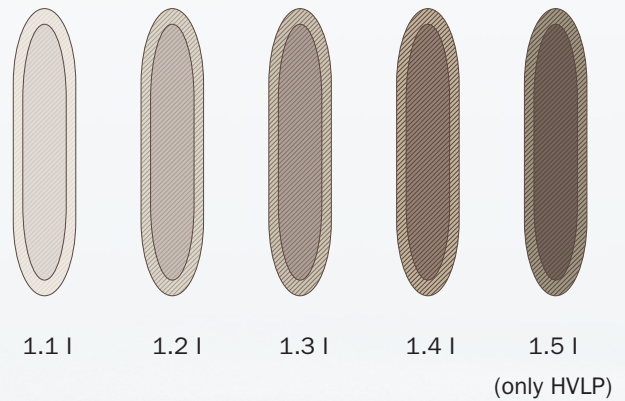
SPRAY FAN SHAPES

Examples of current fan shapes

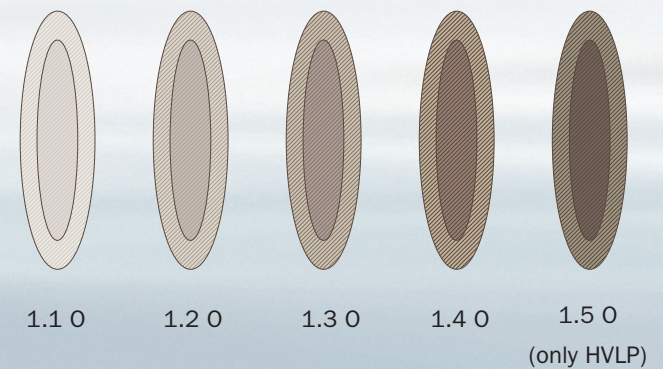


With SATAjet X 5500

Fan shape I-nozzle HVLP/RP



Fan shape O-nozzle HVLP/RP



NEW SATAjet® X 5500 RP®/HVLPHASER



SATAjet® X 5500 RP® PHASER

Technical Data

Inlet pressure
Field of application: 0.5 bar - 2.4 bar
Compliant: max. 2.0 bar

Air consumption at 2.0 bar: 290 NI/min

Spray distance
Field of application: 10 cm - 21 cm
Recommended: 17 cm - 21 cm



Nozzle	I-nozzle			O-nozzle		
	1.2 l	1.3 l	-	1.2 0	1.3 0	-
Non digital with RPS multi-purpose cup 0,6 l / 0,9 l (each 1x)						
Art. No.	1096066	1096074	-	1096090	1096082	-
Nozzle	1.2 l	1.3 l	-	1.2 0	1.3 0	-
Nozzle set						
Art. No.	1096181	1096199	-	1096214	1096206	-

SATAjet® X 5500 HVLPHASER

Technical Data

Inlet pressure
Field of application: 0.5 bar - 2.4 bar
HVLPH: max. 2.0 bar

Air consumption at 2.0 bar: 430 NI/min

Spray distance
Field of application: 10 cm - 21 cm
Recommended: 10 cm - 15 cm

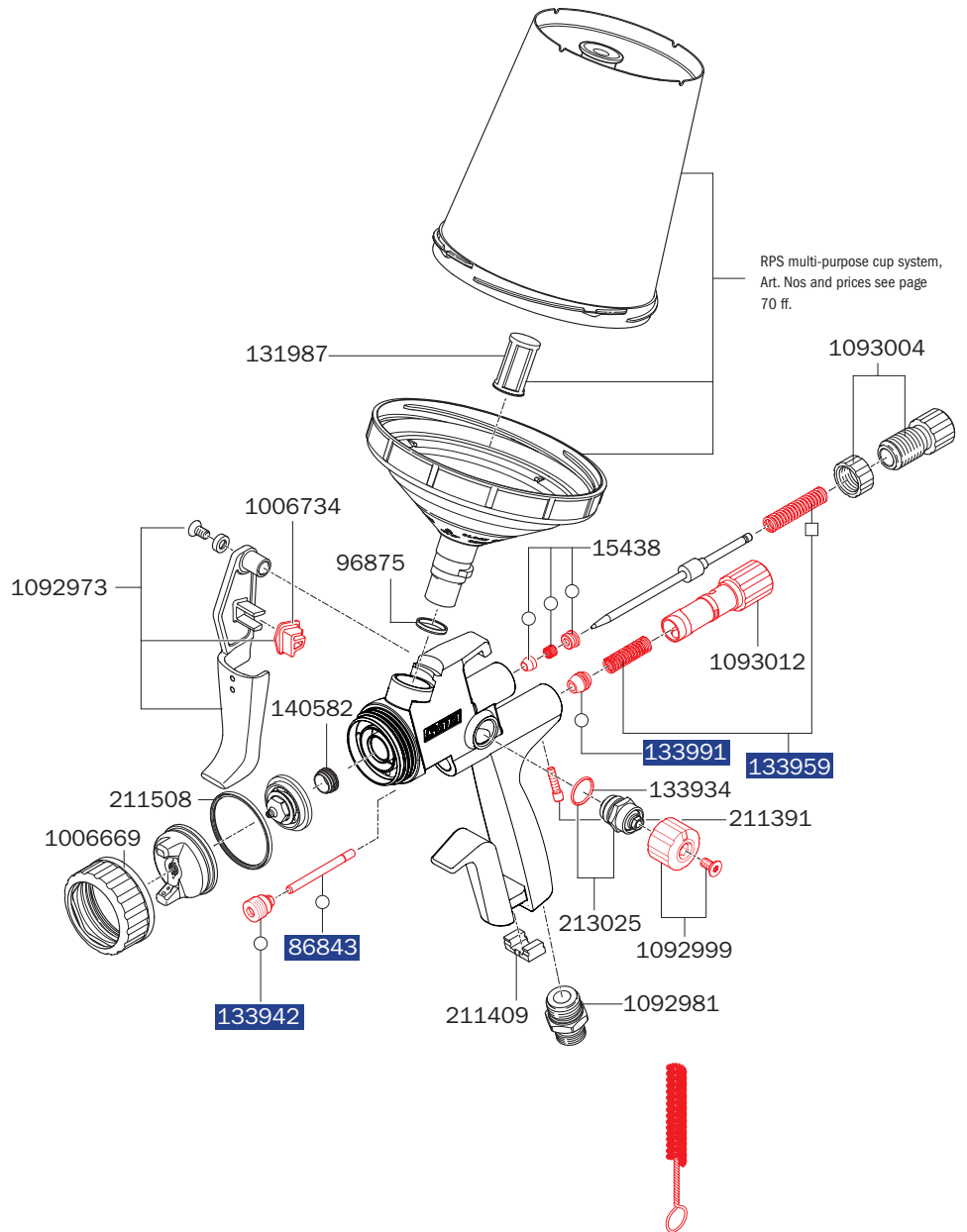


Nozzle	I-nozzle			O-nozzle		
	1.2 l	1.3 l	1.4 l	1.2 0	1.3 0	1.4 0
Non digital with RPS multi-purpose cup 0,6 l / 0,9 l (each 1x)						
Art. No.	1096157	1096149	1096131	1096107	1096115	1096123
Nozzle	1,2 l	1,3 l	1,4 l	1,2 0	1,3 0	1,4 0
Nozzle set						
Art. No.	1096272	1096264	1096256	1096222	1096230	1096248

All prices are recommended list prices. Errors, technical modifications and printing errors reserved.

Spare Parts SATAjet® X 5500 PHASER

Art. No./Descr.
15438
Paint needle packing
86843
Air piston rod
96875
PVC insert for paint spray guns with QCC cup connection
131987
Spare plug-in sieve 200 µm, pastel green (packing unit 100 pieces)
133934
Sealing (packing unit 3 pieces) for spindle
133942
Seal retainer, cpl.
133959
Pressure spring (3 pieces) for paint needle and air piston
133991
Air piston head (packing unit 3 pieces)
140582
Sealing element (packing unit 5 pieces) for fluid tip
211391
Locking screw (packing unit 3 pieces) for air micrometer
211409
CCS-Clips, green, blue, red, black (packing unit 4 pieces)
211508
Sealing ring (packing unit 5 pieces)
213025
Spindle, cpl., for round / flat spray control
1006669
Kit consisting of coloured marking rings (blue, green, black, packing unit each 1 piece)
1006734
Trigger fixing clip
1057323
Tool kit
1092973
Trigger kit
1092981
Air connection piece 1/4" male thread
1092999
Control knob with screw (pack of 2 pieces)
1093004
Material flow control with counter nut
1093012
Air micrometer



All prices are recommended list prices. Errors, technical modifications and printing errors reserved.

Art. No./Descr.	
1057323	
Tool kit	
· Universal spanner	
· Combi tool	
· Cleaning brush	
· CCS clips	
· Paint strainer	
1097379	Universal key kit (pack of 3 pieces)

Art. No./Descr.
1093020
Repair kit
82552
Air piston service unit
○ 136960
Sealing kit

SATAjet® X 5500 RP®/HVLP



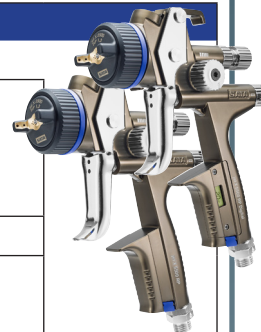
SATAjet® X 5500 RP® STANDARD / DIGITAL

Technical Data

Inlet pressure
 Field of application: 0.5 bar - 2.4 bar
 Compliant: max. 2.0 bar

Air consumption at 2.0 bar: 290 NI/min

Spray distance
 Field of application: 10 cm - 21 cm
 Recommended: 17 cm - 21 cm



Nozzle	I-nozzle					O-nozzle				
	1.1 l	1.2 l	1.3 l	1.4 l	-	1.1 0	1.2 0	1.3 0	1.4 0	-

Standard with RPS multi-purpose cup 0.6 l / 0.9 l (each 1x) with swivel joint

Art. No.	1061548	1061556	1061564	1061572	-	1061580	1061598	1061605	1061613	-
----------	---------	---------	---------	---------	---	---------	---------	---------	---------	---

DIGITAL with RPS multi-purpose cup 0.6 l / 0.9 l (each 1x) with swivel joint

Art. No.	1061621	1061647	1061697	1061712	-	1061746	1061788	1061803	1061829	-
----------	---------	---------	---------	---------	---	---------	---------	---------	---------	---

Nozzle	I-nozzle					O-nozzle				
	1.1 l	1.2 l	1.3 l	1.4 l	-	1.1 0	1.2 0	1.3 0	1.4 0	-

Nozzle set

Art. No.	1063536	1063544	1063552	1063560	-	1063578	1063586	1063594	1063601	-
----------	---------	---------	---------	---------	---	---------	---------	---------	---------	---

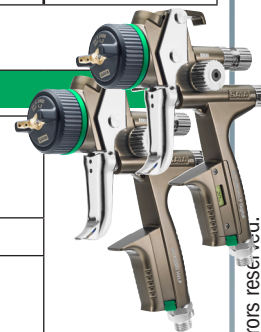
SATAjet® X 5500 HVLP STANDARD / DIGITAL

Technical Data

Inlet pressure
 Field of application: 0.5 bar - 2.4 bar
 HVLP: max. 2.0 bar

Air consumption at 2.0 bar: 430 NI/min

Spray distance
 Field of application: 10 cm - 21 cm
 Recommended: 10 cm - 15 cm



Nozzle	I-nozzle					O-nozzle				
	1.1 l	1.2 l	1.3 l	1.4 l	1.5 l	1.1 0	1.2 0	1.3 0	1.4 0	1.5 0

Standard with RPS multi-purpose cup 0.6 l / 0.9 l (each 1x) with swivel joint

Art. No.	1061895	1061902	1061887	1061910	1061928	1061936	1061944	1061952	1061960	1061978
----------	---------	---------	---------	---------	---------	---------	---------	---------	---------	---------

DIGITAL with RPS multi-purpose cup 0.6 l / 0.9 l (each 1x) with swivel joint

Art. No.	1061994	1061879	1062025	1062033	1062067	1062075	1062108	1062124	1062158	1062166
----------	---------	---------	---------	---------	---------	---------	---------	---------	---------	---------

Nozzle	I-nozzle					O-nozzle				
	1,1 l	1,2 l	1,3 l	1,4 l	1,5 l	1,1 0	1,2 0	1,3 0	1,4 0	1,5 0

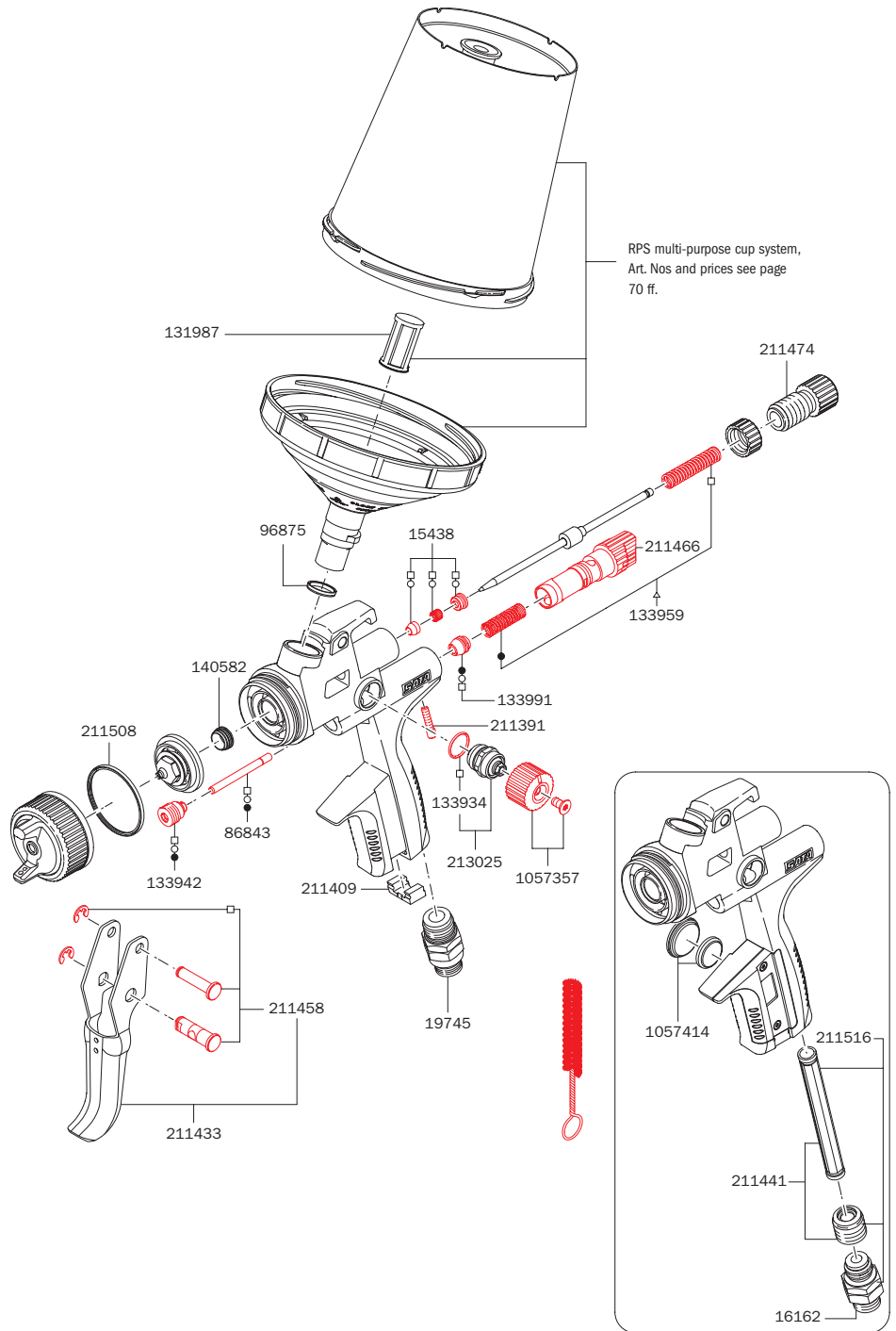
Nozzle set

Art. No.	1063619	1063627	1063635	1063651	1063669	1063677	1063685	1063643	1063693	1063700
----------	---------	---------	---------	---------	---------	---------	---------	---------	---------	---------

All prices are recommended list prices. Errors, technical modifications and printing errors reserved.

Spare Parts SATAjet® X 5500

Art. No./Descr.
15438
Paint needle packing
16162
Swivel joint
19745
Swivel joint
86843
Air piston rod
96875
PVC insert for paint spray guns with QCC cup connection
131987
Spare plug-in sieve 200 µm, pastel green (packing unit 100 pieces)
133934
Sealing (packing unit 3 pieces) for spindle
133942
Seal retainer, cpl.
133959
Pressure spring (3 pieces) for paint needle and air piston
133991
Air piston head (packing unit 3 pieces)
140582
Sealing element (packing unit 5 pieces) for fluid tip
211391
Locking screw (packing unit 3 pieces) for air micrometer
211409
CCS-Clips, green, blue, red, black (packing unit 4 pieces)
211433
Trigger kit
211441
Seal retainer with sleeve
211458
Trigger sleeve kit
211466
Air micrometer
211474
Material flow control with counter nut
211508
Sealing ring (packing unit 5 pieces)
211516
Swivel joint with seal retainer and sleeve
213025
Spindle, cpl., for round / flat spray control
1057323
Tool kit
1057357
Control knob with screw (packing unit 2 pieces)
1057414
Battery kit



All prices are recommended list prices. Errors, technical modifications and printing errors reserved.

Art. No./Descr.	
1057323	
Tool kit	
· Universal spanner	
· Combi tool	
· Cleaning brush	
· CCS clips	
· Paint strainer	
1097379	Universal key kit (pack of 3 pieces)

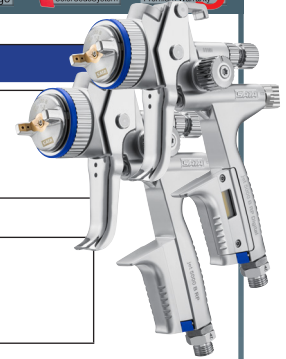
Art. No./Descr.
1047522
Repair kit
82552
Air piston service unit
○ 136960
Sealing kit

SATAjet® 5000 B RP®/HVLP



SATAjet 5000 B RP STANDARD / DIGITAL

Technical Data	Inlet pressure
	Field of application: 0.5 bar - 2.4 bar
	Compliant: max. 2.0 bar
	Air consumption at 2.0 bar: 290 NI/min
	Spray distance
	Field of application: 10 cm - 21 cm Recommended: 17 cm - 21 cm



Nozzle	1,0	1,1	1,2	1,2 W	1,3	1,3 cc	1,4	1,6	1,8	2,0	2,5
---------------	-----	-----	-----	-------	-----	--------	-----	-----	-----	-----	-----

Standard with 0.6 l QCC reusable plastic cup, **without** swivel joint

Art. No.	-	-	209627	209635	209643	1005041	209650	209668	-	-	-
-----------------	---	---	--------	--------	--------	---------	--------	--------	---	---	---

Standard with 0.6 l QCC reusable plastic cup, **with** swivel joint

Art. No.	209676	209684	209692	209700	209718	1005059	209726	209734	209742	209759	209767
-----------------	--------	--------	--------	--------	--------	---------	--------	--------	--------	--------	--------

Standard with RPS multi-purpose cup 0.3 l / 6 l / 0.9 l (each 1x) **with** swivel joint

Art. No.	-	-	209775	209783	209791	1005075	209809	-	-	-	-
-----------------	---	---	--------	--------	--------	---------	--------	---	---	---	---

Nozzle	1,0	1,1	1,2	1,2 W	1,3	1,3 cc	1,4	1,6	1,8	2,0	2,5
---------------	-----	-----	-----	-------	-----	--------	-----	-----	-----	-----	-----

DIGITAL with 0.6 l QCC PVC reusable cup **with** swivel joint

Art. No.	-	-	209817	209825	209833	1005083	209841	-	-	-	-
-----------------	---	---	--------	--------	--------	---------	--------	---	---	---	---

DIGITAL with RPS multi-purpose cup 0.3 l / 6 l / 0.9 l (each 1x) **with** swivel joint

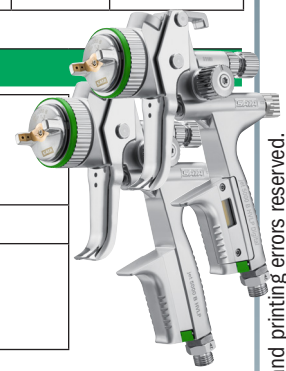
Art. No.	-	210070	209924	209932	209940	1005091	209957	-	-	-	-
-----------------	---	--------	--------	--------	--------	---------	--------	---	---	---	---

Nozzle set

Art. No.	210245	210252	210260	210278	210286	1002104	210294	210302	210310	210328	210336
-----------------	--------	--------	--------	--------	--------	---------	--------	--------	--------	--------	--------

SATAjet 5000 B HVLP STANDARD / DIGITAL

Technical Data	Inlet pressure
	Field of application: 0.5 bar - 2.4 bar
	HVLP: max. 2.0 bar
	Air consumption at 2.0 bar: 430 NI/min
	Spray distance
	Field of application: 10 cm - 21 cm Recommended: 10 cm - 15 cm



Nozzle	1,0	1,2	WSB	1,3	1,4	1,5	1,7	1,9	2,2
---------------	-----	-----	-----	-----	-----	-----	-----	-----	-----

Standard with 0.6 l QCC reusable plastic cup, **without** swivel joint

Art. No.	-	210369	210377	210385	210401	210419	-	-	-
-----------------	---	--------	--------	--------	--------	--------	---	---	---

Standard with 0.6 l QCC reusable plastic cup, **with** swivel joint

Art. No.	210427	210435	210443	210450	210484	210500	210518	210534	210542
-----------------	--------	--------	--------	--------	--------	--------	--------	--------	--------

Standard with RPS multi-purpose cup 0.3 l / 6 l / 0.9 l (each 1x) **with** swivel joint

Art. No.	-	210559	210567	210575	210591	210609	-	-	-
-----------------	---	--------	--------	--------	--------	--------	---	---	---

Nozzle	1,0	1,2	WSB	1,3	1,4	1,5	1,7	1,9	2,2
---------------	-----	-----	-----	-----	-----	-----	-----	-----	-----

DIGITAL with 0.6 l QCC PVC reusable cup **with** swivel joint

Art. No.	-	210617	210625	210633	210658	210666	-	-	-
-----------------	---	--------	--------	--------	--------	--------	---	---	---

DIGITAL with RPS multi-purpose cup 0.3 l / 6 l / 0.9 l (each 1x) **with** swivel joint

Art. No.	-	210674	210682	210690	210716	210724	-	-	-
-----------------	---	--------	--------	--------	--------	--------	---	---	---

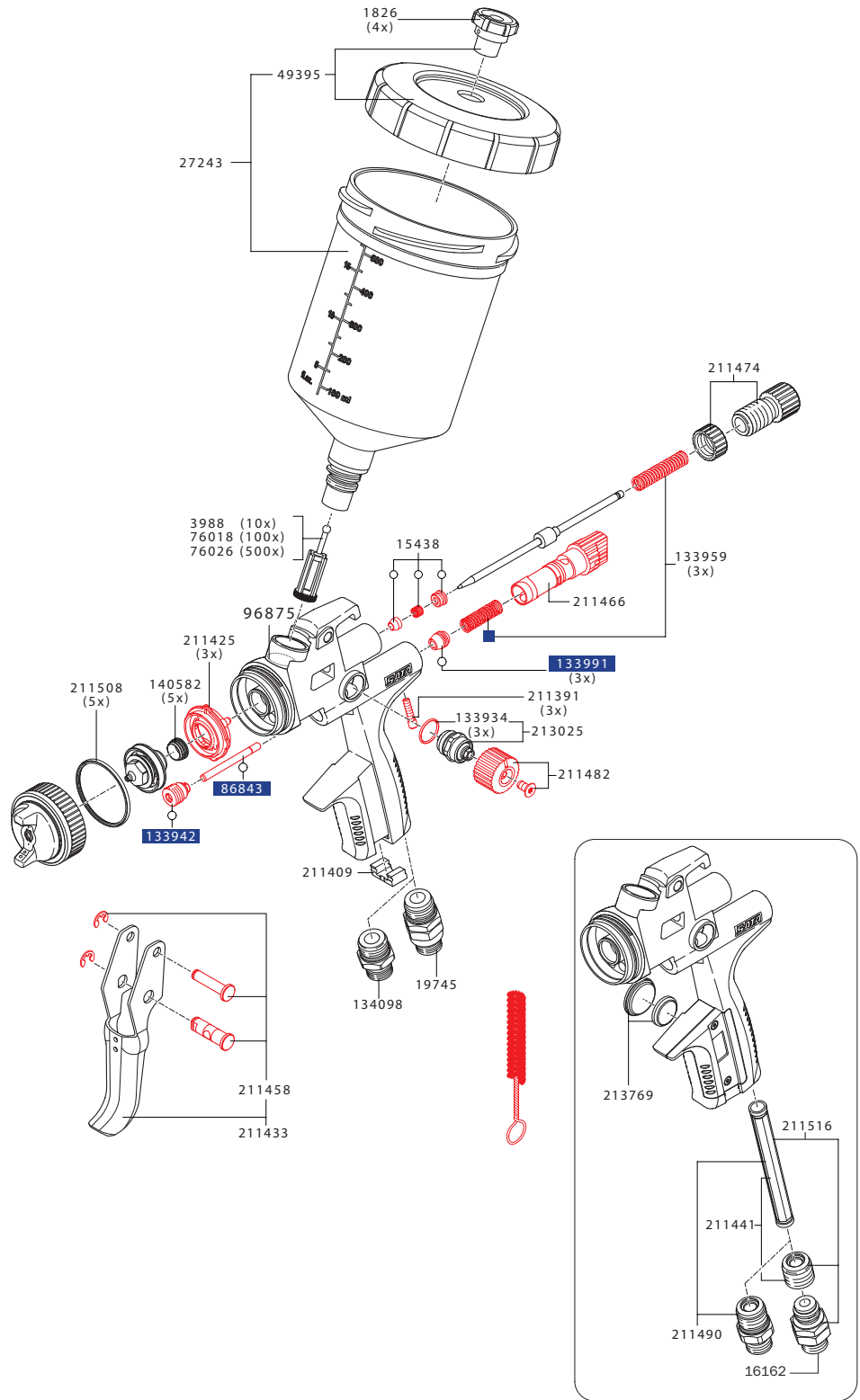
Nozzle set

Art. No.	210955	210963	210971	210989	211011	211045	211052	211060	211078
-----------------	--------	--------	--------	--------	--------	--------	--------	--------	--------

All prices are recommended list prices. Errors, technical modifications and printing errors reserved.

Spare Parts SATAjet® 5000 B

Art. No./Descr.
1826
Anti-drip device (packing unit 4 pieces)
3988
Paint strainer, 300 µm (packing unit 10 pieces)
16162
Swivel joint
15438
Paint needle packing
19745
Swivel joint
27243
Reusable plastic cup, 0.6 l with QCC without fine thread
49395
Screw-on lid for 0.6 l PVC cup with drip-catching ring and non-drip device
76018
Paint strainer, 300 µm (packing unit 100 pieces)
76026
Paint strainer, 300 µm (packing unit 500 pieces)
86843
Air piston rod
96875
PVC insert for paint spray guns with QCC cup connection
133934
Sealing (packing unit 3 pieces) for spindle
133942
Seal retainer, cpl.
133959
Pressure spring (3 pieces) for paint needle and air piston
133991
Air piston head (packing unit 3 pieces)
134098
Air connection piece 1/4" (male thread)
140582
Sealing element (packing unit 5 pieces) for fluid tip
211391
Locking screw (packing unit 3 pieces) for air micrometer
211409
CCS-Clips, green, blue, red, black (packing unit 4 pieces)
211425
Air distribution ring (packing unit 3 pieces)
211433
Trigger kit
211441
Seal retainer with sleeve
211458
Trigger sleeve kit
211466
Air micrometer
211474
Material flow control with counter nut
211482
Control knob with screw (each 2 pieces)
211490
Air connection with sleeve
211508
Sealing ring (packing unit 5 pieces)
211516
Swivel joint with seal retainer and sleeve
213025
Spindle, cpl., for round / flat spray control
213769
Battery kit

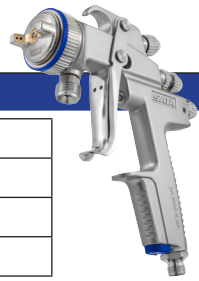


All prices are recommended list prices. Errors, technical modifications and printing errors reserved.

Art. No./Descr.	
211524	
Tool kit	
· Universal spanner	
· Combi tool	
· Cleaning brush	
· CCS clips	
· Paint strainer	
· Extraction tool	
1097379	Universal key kit (pack of 3 pieces)

Art. No./Descr.
211532
Repair kit
82552
Air piston service unit
○ 136960
Sealing kit

SATAjet® 3000 K RP®/HVLP



SATAjet 3000 K RP

Technical Data	Inlet pressure: 2.5 bar – 3.0 bar
	Air consumption at 2.5 bar: 430 NI/min
	Spray distance: 17 cm – 21 cm
	Material connection: 3/8" male thread

Nozzle	0,8	1,1	1,3	1,5	1,7	2,0
---------------	-----	-----	-----	-----	-----	-----

Spray gun

Art. No.	92932	93336	93344	93351	93369	93377	
-----------------	-------	-------	-------	-------	-------	-------	--

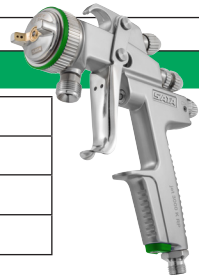
Nozzle	0,8	1,1	1,3	1,5	1,7	2,0
---------------	-----	-----	-----	-----	-----	-----

Nozzle set

Art. No.	92494	92502	92510	92528	95422	95356	
-----------------	-------	-------	-------	-------	-------	-------	--

available upon request

Spray guns and nozzle sets with lifetime prolonging surface of fluid tip and paint needle.



SATAjet 3000 K HVLP

Technical Data	Inlet pressure: 2.5 bar
	Air consumption at 2.5 bar: 560 NI/min
	Spray distance: 10 cm – 15 cm
	Material connection: 3/8" male thread

Nozzle	0,8	1,0	1,2	1,4	1,6	2,0
---------------	-----	-----	-----	-----	-----	-----

Spray gun

Art. No.	93385	92924	93393	193656	96164	96172	
-----------------	-------	-------	-------	--------	-------	-------	--


Nozzle	0,8	1,0	1,2	1,4	1,6	2,0
---------------	-----	-----	-----	-----	-----	-----

Nozzle set

Art. No.	92783	92791	92809	191379	92817	92825	
-----------------	-------	-------	-------	--------	-------	-------	--

available upon request

Spray guns and nozzle sets with lifetime prolonging surface of fluid tip and paint needle.

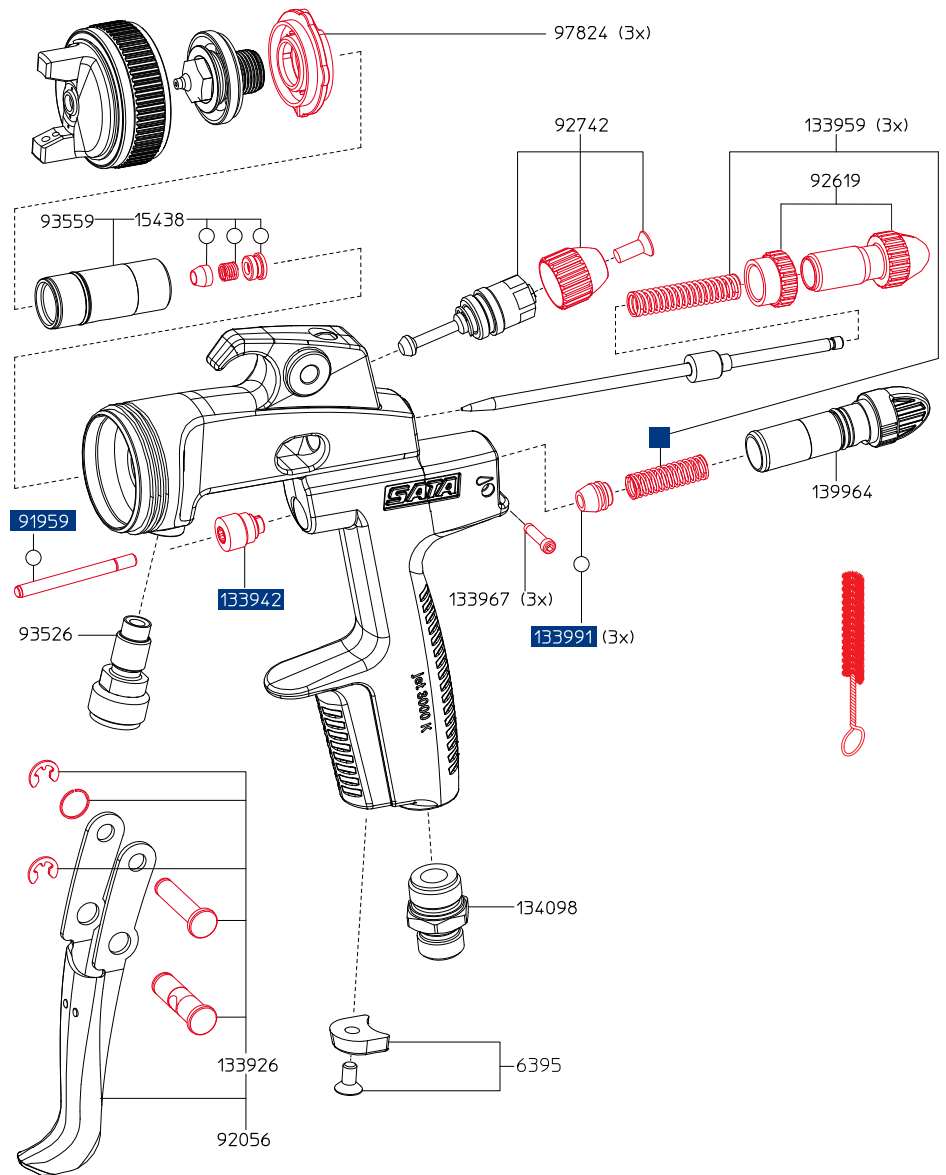
Required accessories for SATA pressure fed spray guns		
92031	SATA paint tube G 3/8" (female thread) - 3/8" (male thread) for SATA pressure fed spray guns	
38265	SATA paint strainer 60 msh, G 3/8" (female thread) and 3/8" (male thread) for SATA pressure fed spray gun except for SATAminijet	

Further accessories as well as material and air connections see pages 50 | 51 and 64 | 65.

All prices are recommended list prices. Errors, technical modifications and printing errors reserved.

Spare Parts SATAjet® 3000 K

Art. No./Descr.
6395
CCS Clips, green, blue, red, black packing unit 4 pieces)
15438
Paint needle packing
91959
Air piston rod
92056
Trigger kit
92619
Material flow control with counter nut
92742
Round/flat spray control
93526
Material connection, stainless steel
93559
Insert, stainless steel
97824
Air distribution ring (3 pieces)
133926
Trigger sleeve kit
133942
Seal retainer, cpl.
133959
Pressure spring (3 pieces) for paint needle and air piston
133967
Adjustment screw (packing unit 3 pieces) for air micrometer
133991
Air piston head (packing unit 3 pieces)
134098
Air connection piece 1/4" (male thread)
139964
Air micrometer



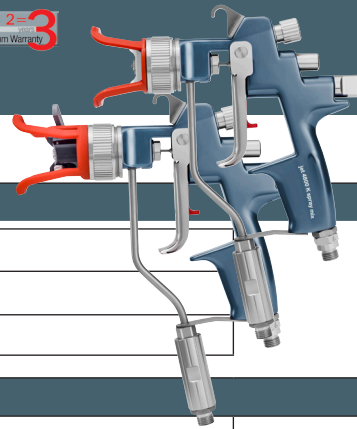
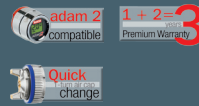
All prices are recommended list prices. Errors, technical modifications and printing errors reserved.

Art. No./Descr.
9050
Tool kit
· Extraction tool
· Paint strainer
· Cleaning brush
· Allen wrench 2 mm width
· Allen wrench 4 mm width
· Universal spanner



Art. No./Descr.
92767
Repair kit
92759
Air piston service unit
○ 183780
Sealing kit

SATAjet® 4800 K spray mix



SATAjet 4800 K spray mix

Technical Data	Max. operating pressure atomisation air: 10.0 bar
	Max. operating pressure material: 250.0 bar
	Weight incl. material filter: 760 g

Spray mix gun

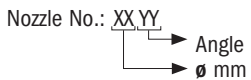
1006354	SATAjet 4800 K spray mix with paint tube, strainer 100 msh, without paint nozzle
---------	--

Spray mix spray gun with inversion switch

1006346	SATAjet 4800 K spray mix with paint strainer 100 msh, material and air swivel joint, inversion switch without inversion nozzle
207530	Retrofit kit, inversion switch without inversion nozzle for SATAjet 4800 K spray mix / 3000 K spray mix

Nozzles SATAjet 4800 K spray mix (not contained in delivery of the Spray mix gun)

Fluid tip		Inversion nozzle for inversion switch		Technical Data							
Nozzle No.	Art. No.	Nozzle No.	Art. No.	ø mm	ø inch	Angle	Width	l/min at 70 bar (1015 psi)		Strainer	
1840	23044*			0,18	0,007	40°	18	0,16	200 msh 85 µm	74856 Set of four pcs.	
2325	7328			0,23	0,009	25°	14	0,23			
2350	7435			0,23	0,009	50°	22	0,23			
2360	74922			0,23	0,009	60°	24	0,23			
		2550	207548	0,25	0,010	20°/50°	14/22	0,25			
2825	16998			0,28	0,011	25°	14	0,30			
2850	50906			0,28	0,011	50°	22	0,30			
2865	13771			0,28	0,011	65°	26	0,30			
		3050	207555	0,30	0,012	20°/50°	14/22	0,38			
3325	20206			0,33	0,013	25°	14	0,45			100 msh 150 µm
3350	50898			0,33	0,013	50°	23	0,45			
3365	13789			0,33	0,013	65°	28	0,45			
3375	74930			0,33	0,013	75°	32	0,45			
3390	73742			0,33	0,013	90°	40	0,45			
		3550	207563	0,35	0,014	20°/50°	14/24	0,50			
3825	13797			0,38	0,015	25°	15	0,61			
3850	7344			0,38	0,015	50°	25	0,61			
3882	74948			0,38	0,015	82°	34	0,61			
		4050	207571	0,40	0,016	20°/50°	14/25	0,70			
4650	19307			0,46	0,018	50°	25	0,95	60 msh 250 µm	12260 Set of four pcs.	
4682	74955			0,46	0,018	82°	35	0,95			
5370	150276			0,53	0,021	70°	33	1,28			
6050	17004			0,60	0,024	50°	31	1,59			



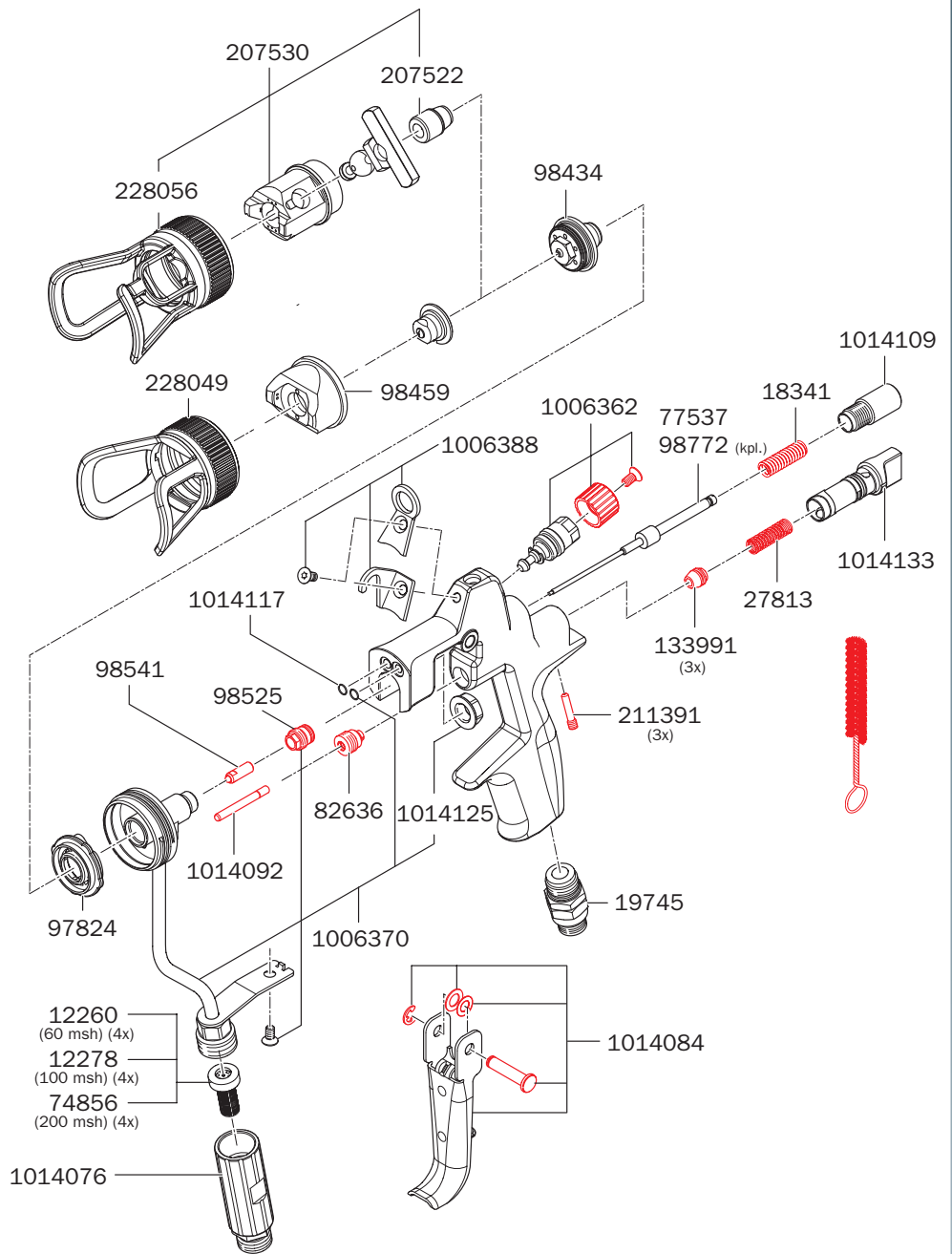
Hose pairs see page 123.

Further accessories as well as material and air connections see pages 50 | 51 and 64 | 65.

All prices are recommended list prices. Errors, technical modifications and printing errors reserved.

Spare parts SATAJet® 4800 K spray mix

Art. No./Descr.
12260
Sieve 60 msh (packing unit 4 pieces)
12278
Sieve, 100 msh (packing unit 4 pieces)
18341
Pressure spring for paint needle
19745
Swivel joint
27813
Spring for air piston of SATA spray guns except for SATA minijet
74856
Strainer kit: Sieve 200 msh (4 pcs.) strainer holder (2 pcs.), screw (1 pcs.)
77537
Paint needle SATAJet 4800 K spray mix, 3000 K spray mix, jet K3 spray mix without needle tip
82636
Seal retainer, cpl.
97824
Air distribution ring (3 pieces)
98434
Pre-nozzle, cpl. SATA jetK3 Spray mix
98459
Air cap round/flat spray fan
98525
Seal retainer, cpl.
98541
Carbide needle tip
98772
Paint needle with carbide needle tip, cpl.
133991
Air piston head (packing unit 3 pieces)
207522
Gasket unit inversion switch
207530
Retrofit kit, inversion switch without inversion nozzle
211391
Locking screw (packing unit 3 pieces) for air micrometer
228049
Air cap ring with protection against accidental contact
228056
Air cap ring with protection against accidental contact
1006362
Round/Flat spray control, cpl.
1006370
Nozzle head and material supply cpl., without filter adapter and swivel joint
1006388
Kit, consisting of gun suspension hook, suspension eye and countersunk screw, each 1 piece
1014076
Material filter housing, cpl. with swivel joint
1014084
Trigger kit
1014092
Air piston rod
1014109
Locking screw
1014117
O-ring nozzle head (packing unit 10 pieces)
1014125
Nozzle head nut
1014133
Air micrometer, cpl.



- 12260 (60 msh) (4x)
- 12278 (100 msh) (4x)
- 74856 (200 msh) (4x)

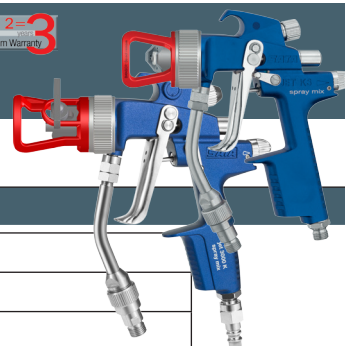
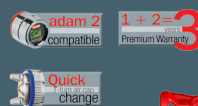
1014076

Art. No./Descr.
1006966
Tool kit
· Universal spanner
· Cleaning brush
· Extraction tool

Art. No./Descr.
1006940
Repair kit
92759
Air piston service unit
30833
Nozzle cleaning kit

All prices are recommended list prices. Errors, technical modifications and printing errors reserved.

SATAjet® 3000 K spray mix



SATAjet 3000 K spray mix

Technical Data	Max. operating pressure atomisation air: 10.0 bar
	Max. operating pressure material: 250.0 bar
	Weight incl. material filter: 650 g

Spray mix gun

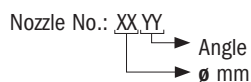
120006	SATAjet 3000 K spray mix with paint tube, strainer 100 msh, without paint nozzle	
--------	--	--

Spray mix spray gun with inversion switch

120014	SATAjet 3000 K spray mix with paint tube, strainer 100 msh, inversion switch, without inversion nozzle	
207530	Retrofit kit, inversion switch without inversion nozzle for SATAjet 4800 K spray mix / 3000 K spray mix	

Nozzles SATAjet 3000 K spray mix (not included in the scope of delivery of the Spray mix gun)

Fluid tip		Inversion nozzle for inversion switch		Technical Data						
Nozzle No.	Art. No.	Nozzle No.	Art. No.	ø mm	ø inch	Angle	Width	l/min at 70 bar (1015 psi)		Strainer
*										
1840	23044*			0,18	0,007	40°	18	0,16		
2325	7328			0,23	0,009	25°	14	0,23	200 msh 85 µm	74856 Set of four pcs.
2350	7435			0,23	0,009	50°	22	0,23		
2360	74922			0,23	0,009	60°	24	0,23		
		2550	207548	0,25	0,010	20°/50°	14/22	0,25		
2825	16998			0,28	0,011	25°	14	0,30	100 msh 150 µm	12278 Set of four pcs.
2850	50906			0,28	0,011	50°	22	0,30		
2865	13771			0,28	0,011	65°	26	0,30		
		3050	207555	0,30	0,012	20°/50°	14/22	0,38		
3325	20206			0,33	0,013	25°	14	0,45	60 msh 250 µm	12260 Set of four pcs.
3350	50898			0,33	0,013	50°	23	0,45		
3365	13789			0,33	0,013	65°	28	0,45		
3375	74930			0,33	0,013	75°	32	0,45		
3390	73742			0,33	0,013	90°	40	0,45		
		3550	207563	0,35	0,014	20°/50°	14/24	0,50		
3825	13797			0,38	0,015	25°	15	0,61		
3850	7344			0,38	0,015	50°	25	0,61		
3882	74948			0,38	0,015	82°	34	0,61		
		4050	207571	0,40	0,016	20°/50°	14/25	0,70		
4650	19307			0,46	0,018	50°	25	0,95		
4682	74955			0,46	0,018	82°	35	0,95		
5370	150276			0,53	0,021	70°	33	1,28		
6050	17004			0,60	0,024	50°	31	1,59		



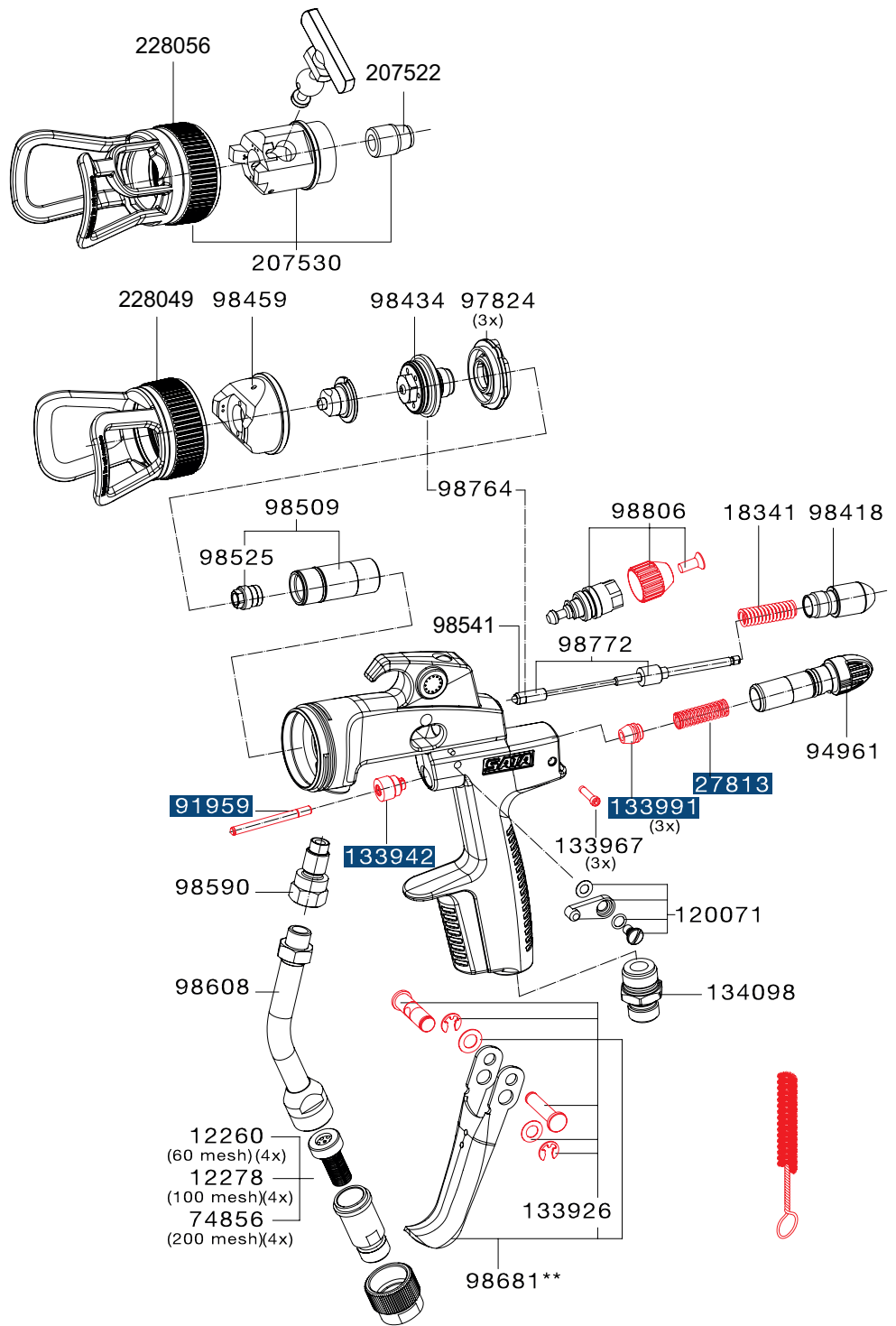
Hose pairs see page 123.

Further accessories as well as material and air connections see pages 50 | 51 and 64 | 65.

All prices are recommended list prices. Errors, technical modifications and printing errors reserved.

Spare Parts SATAjet® 3000 K spray mix

Art. No./Descr.
12260
Sieve 60 msh (packing unit 4 pieces)
12278
Sieve, 100 msh (packing unit 4 pieces)
18341
Pressure spring for paint needle
27813
Spring for air piston of SATA spray guns except for SATA minijet
74856
Strainer kit: Sieve 200 msh (4 pcs.) strainer holder (2 pcs.), screw (1 pcs.)
91959
Air piston rod
94961
Air micrometer
97824
Air distribution ring (3 pieces)
98418
Closing screw
98434
Pre-nozzle, cpl. SATA jetK3 Spray mix
98459
Air cap round/flat spray fan
98509
Insert with seal retainer
98525
Seal retainer, cpl.
98541
Carbide needle tip
98590
Material connection
98608
Paint tube with strainer 100 msh
98681
Trigger kit
98764
Nozzle set SATAjet 4800 K spray mix / 3000 K spray mix, consisting of pre-nozzle and needle tip
98772
Paint needle with carbide needle tip, cpl.
98806
Round/flat spray control SATAjet K3 spray mix, jet 3000 K spray mix
120071
Trigger block, cpl.
133926
Trigger sleeve kit
133942
Seal retainer, cpl.
133967
Adjustment screw (packing unit 3 pieces) for air micrometer
133991
Air piston head (packing unit 3 pieces)
134098
Air connection piece 1/4" (male thread)
207522
Gasket unit inversion switch
207530
Retrofit kit, inversion switch without inversion nozzle
228049
Air cap ring with protection against accidental contact
228056
Air cap ring with protection against accidental contact

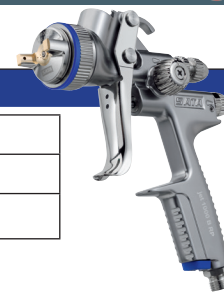


Art. No./Descr.
98699
Tool kit
· Universal spanner
· Allen key 40 mm width
· Allen wrench 2 mm width
· Universal spanner
· Cleaning brush
· Socket wrench 7 mm width
· Extraction tool

Art. No./Descr.
98707
Repair kit
92759
Air piston service unit
30833
Nozzle cleaning kit

All prices are recommended list prices. Errors, technical modifications and printing errors reserved.

SATAjet® 1000 B RP®/HVLP



SATAjet 1000 B RP

Technical Data	Inlet pressure: 1.5 bar – 2.0 bar
	Air consumption at 2.0 bar: 275 NI/min
	Spray distance: 17 cm – 21 cm

Nozzle	0,8	1,0	1,3	1,6	1,8	2,0	2,5	3,0	4,0
---------------	-----	-----	-----	-----	-----	-----	-----	-----	-----

Spray gun with 0.6 l QCC reusable PVC gravity flow cup without swivel joint										
Art. No.	151183	151191	149302	149310	150391	149328	151209	151217		
									154161	

Spray gun with 0.6 l QCC reusable PVC gravity flow cup with swivel joint										
Art. No.	157875	157883	157891	157909	157917	157925	157933	157941		
									157958	

Nozzle	0,8	1,0	1,3	1,6	1,8	2,0	2,5	3,0	4,0
---------------	-----	-----	-----	-----	-----	-----	-----	-----	-----

Spray gun with 0.75 l QCC reusable aluminium gravity flow cup without swivel joint										
Art. No.	151225	151233	150342	149344	150409	149351	151241	151258		
									154179	

Nozzle	0,8	1,0	1,3	1,6	1,8	2,0	2,5	3,0	4,0	5,0
---------------	-----	-----	-----	-----	-----	-----	-----	-----	-----	-----

Nozzle set										
Art. No.	151316	151324	149161	149179	150417	149187	151332	151340		
									154187	154195
	High viscosity					222372	222380			

Extensions see page 48.

SATAjet 1000 B RP for glue applications

164962	SATAjet 1000 B RP nozzle 1.6 D twisted round spray 0.6 l QCC reusable plastic cup
164970	Nozzle set SATAjet 1000 B RP 1.6 twisted round spray
214320	SATAjet 1000 B RP nozzle 1.3 DA pressurised cup spray gun for dispersion glues, incl. SATA BVD add-on kit
214338	Nozzle set SATAjet 1000 B RP 1.3 DA for dispersion glues



SATAjet 1000 B HVLP

Technical Data	Inlet pressure: 2.0 bar
	Air consumption at 2.0 bar: 350 NI/min
	Spray distance: 13 cm – 17 cm

Nozzle	1,4	1,7	1,9	2,1
---------------	-----	-----	-----	-----

Spray gun with 0.6 l QCC reusable PVC gravity flow cup without swivel joint				
Art. No.	149377	149385	149393	149401

Spray gun with 0.6 l QCC reusable PVC gravity flow cup with swivel joint				
Art. No.	157966	157974	157982	157990

Nozzle	1,4	1,7	1,9	2,1
---------------	-----	-----	-----	-----

Spray gun with 0.75 l QCC reusable aluminium gravity flow cup without swivel joint				
Art. No.	149419	149427	149435	149443

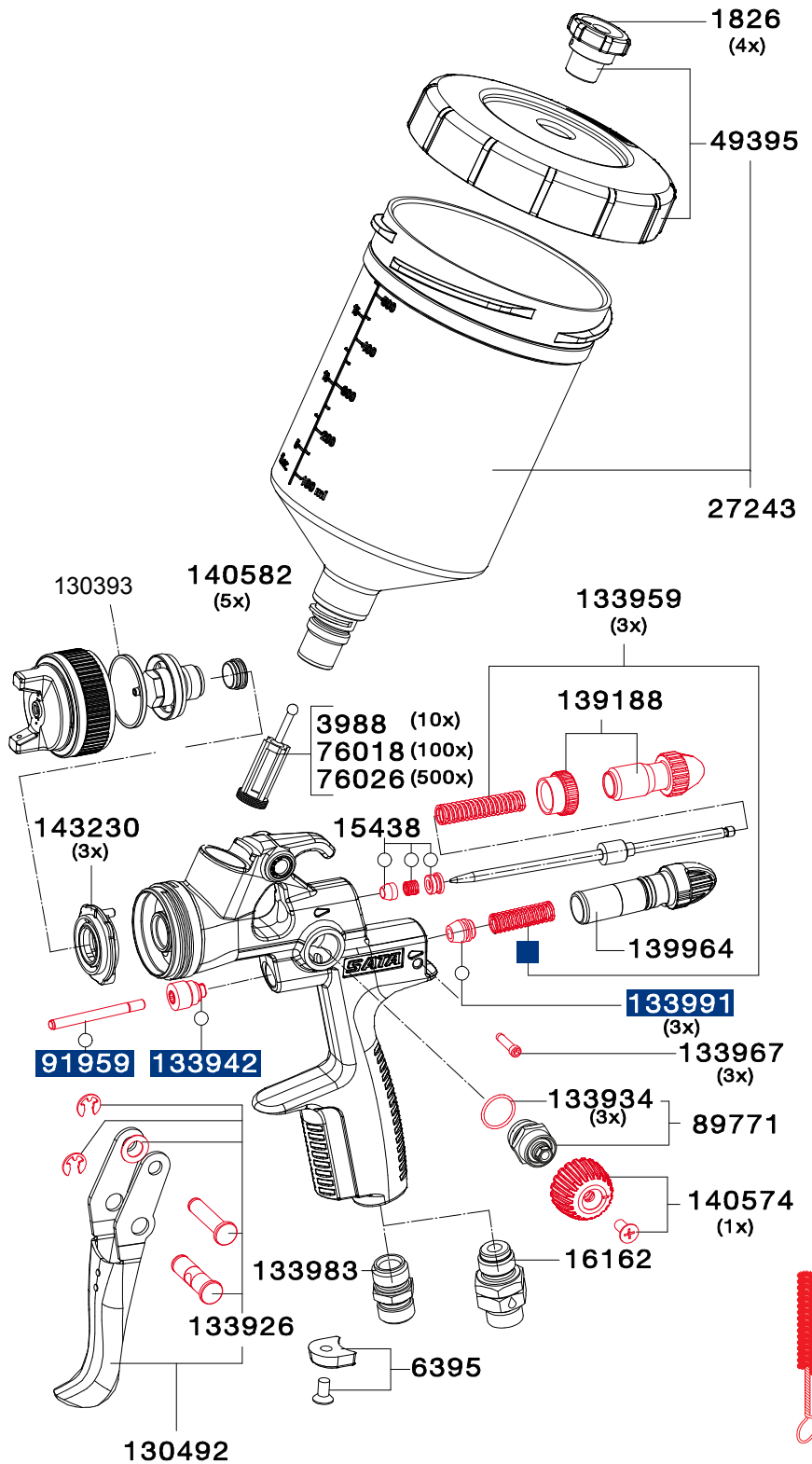
Nozzle	1,4	1,7	1,9	2,1
---------------	-----	-----	-----	-----

Nozzle set				
Art. No.	149195	149203	149211	149229

All prices are recommended list prices. Errors, technical modifications and printing errors reserved.

Spare Parts SATAjet® 1000 B

Art. No./Descr.
1826 Anti-drip device (packing unit 4 pieces)
3988 Paint strainer, 300 µm (packing unit 10 pieces)
6395 CCS Clips, green, blue, red, black packing unit 4 pieces)
15438 Paint needle packing
16162 Swivel joint
27243 Reusable plastic cup, 0.6 l with QCC without fine thread
49395 Screw-on lid for 0.6 l PVC cup with drip-catching ring and non-drip device
76018 Paint strainer, 300 µm (packing unit 100 pieces)
76026 Paint strainer, 300 µm (packing unit 500 pieces)
89771 Spindle, cpl., f. round / flat spray control SATAjet 2000 HVLP
91959 Air piston rod
130393 Sealing ring for air cap ring SATAjet 100 and 1000
130492 Trigger kit
133926 Trigger sleeve kit
133934 Sealing (packing unit 3 pieces) for spindle
133942 Seal retainer, cpl.
133959 Pressure spring (3 pieces) for paint needle and air piston
133967 Adjustment screw (packing unit 3 pieces) for air micrometer
133983 Air connection piece 1/4" male thread
133991 Air piston head (packing unit 3 pieces)
139188 Material flow control with counter nut
139964 Air micrometer
140574 Control knob with screw
140582 Sealing element (packing unit 5 pieces) for fluid tip
143230 Air distribution ring (packing unit 3 pieces)



All prices are recommended list prices. Errors, technical modifications and printing errors reserved.


Art. No./Descr.
9050 Tool kit
· Extraction tool
· Paint strainer
· Cleaning brush
· Allen wrench 2 mm width
· Allen wrench 4 mm width
· Universal spanner
1097379 Universal key kit (pack of 3 pieces)

Art. No./Descr.
130542 Repair kit
92759 Air piston service unit
183780 Sealing kit

SATAjet® 1000 B RP®, HVLP LIGNUM 2



SATAjet 1000 B RP LIGNUM 2

Technical Data 	Inlet pressure: 1.5 bar - 2.0 bar
	Air consumption at 2.0 bar: 275 NI/min
	Spray distance: 17 cm - 21 cm

Nozzle	0,8	1,0	1,3	1,6	1,8	2,0	2,5	3,0	4,0	5,0
---------------	-----	-----	-----	-----	-----	-----	-----	-----	-----	-----

Spray gun with 0.6 l QCC reusable PVC gravity flow cup **with** swivel joint

Art. No.	-	-	190157	190165	190173	190181	197665	-	-	-
-----------------	---	---	--------	--------	--------	--------	--------	---	---	---

Nozzle	0,8	1,0	1,3	1,6	1,8	2,0	2,5	3,0	4,0	5,0
---------------	-----	-----	-----	-----	-----	-----	-----	-----	-----	-----


Nozzle set

Art. No.	151316	151324	149161	149179	150417	149187	151332	151340		
									154187	154195
High viscosity							222372	222380		

Extensions see page 48.



SATAjet 1000 B HVLP LIGNUM 2

Technical Data 	Inlet pressure: 2.0 bar
	Air consumption at 2.0 bar: 350 NI/min
	Spray distance: 13 cm - 17 cm

Nozzle	1,4	1,7	1,9	2,1
---------------	-----	-----	-----	-----

Spray gun with 0.6 l QCC reusable PVC gravity flow cup **with** swivel joint



Art. No.	190124	190132	190140	-
-----------------	--------	--------	--------	---

Nozzle	1,4	1,7	1,9	2,1
---------------	-----	-----	-----	-----

Nozzle set

Art. No.	149195	149203	149211	149229
-----------------	--------	--------	--------	--------

Extensions see page 48.

Accessories		
25775	SATA BVD conversion kit with QCC without fine thread	
29926	SATA agitator cup, conversion kit	

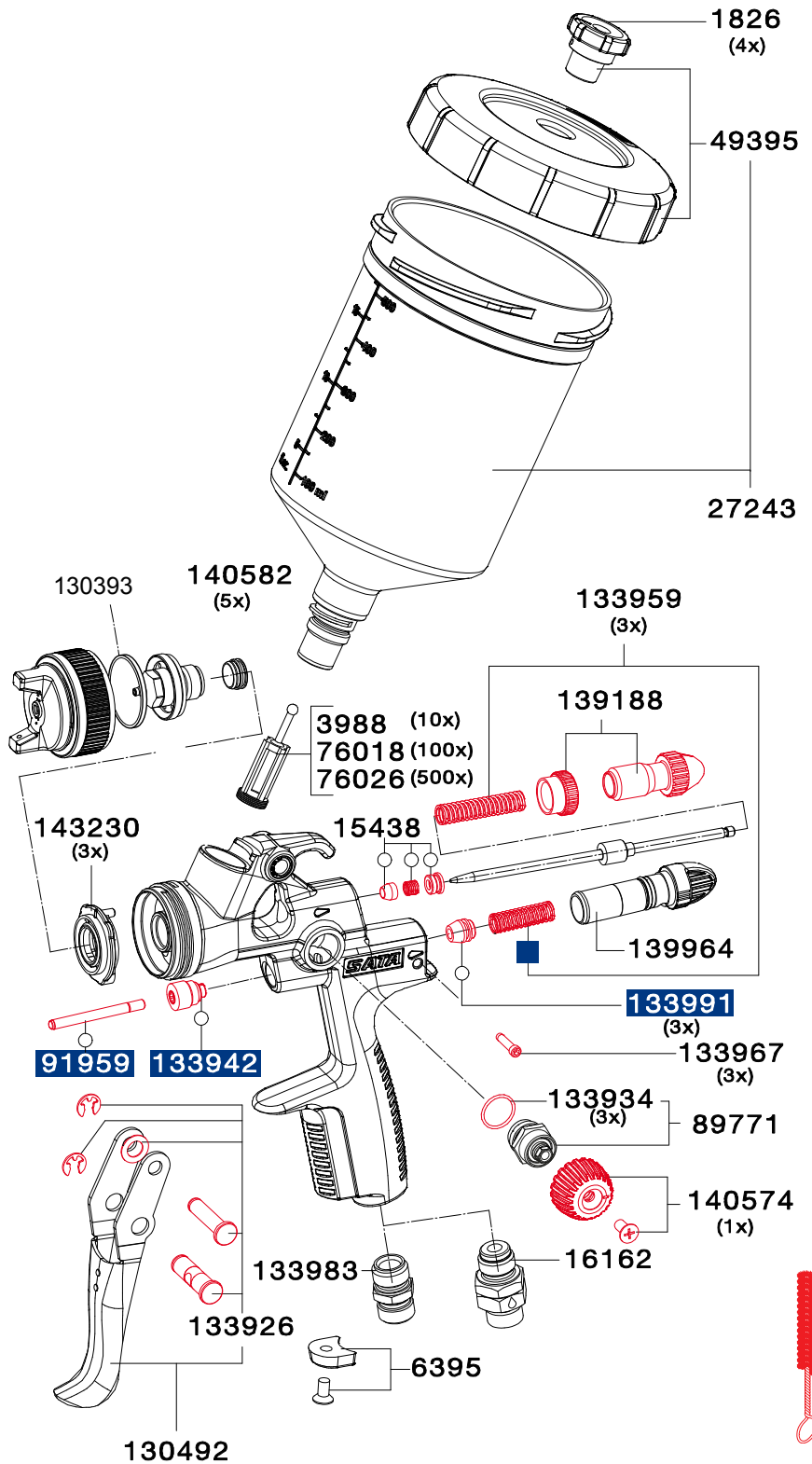
SATA RPS multi-purpose cup see page 70.

Note: The SATAjet 1000 B LIGNUM 2 is technically identical to the SATAjet 1000 B. The sophisticated refining process of the gun surface may entail slight colour shade differences. Colour changes, e.g. by the influence of light, are also possible.

All prices are recommended list prices. Errors, technical modifications and printing errors reserved.

Spare parts SATAjet® 1000 B LIGNUM 2

Art. No./Descr.
1826 Anti-drip device (packing unit 4 pieces)
3988 Paint strainer, 300 µm (packing unit 10 pieces)
6395 CCS Clips, green, blue, red, black packing unit 4 pieces)
15438 Paint needle packing
16162 Swivel joint
27243 Reusable plastic cup, 0.6 l with QCC without fine thread
49395 Screw-on lid for 0.6 l PVC cup with drip-catching ring and non-drip device
76018 Paint strainer, 300 µm (packing unit 100 pieces)
76026 Paint strainer, 300 µm (packing unit 500 pieces)
89771 Spindle, cpl., f. round / flat spray control SATAjet 2000 HVLP
91959 Air piston rod
130393 Sealing ring for air cap ring SATAjet 100 and 1000
130492 Trigger kit
133926 Trigger sleeve kit
133934 Sealing (packing unit 3 pieces) for spindle
133942 Seal retainer, cpl.
133959 Pressure spring (3 pieces) for paint needle and air piston
133967 Adjustment screw (packing unit 3 pieces) for air micrometer
133983 Air connection piece 1/4" male thread
133991 Air piston head (packing unit 3 pieces)
139188 Material flow control with counter nut
139964 Air micrometer
140574 Control knob with screw
140582 Sealing element (packing unit 5 pieces) for fluid tip
143230 Air distribution ring (packing unit 3 pieces)



All prices are recommended list prices. Errors, technical modifications and printing errors reserved.

Art. No./Descr.
9050 Tool kit
· Extraction tool
· Paint strainer
· Cleaning brush
· Allen wrench 2 mm width
· Allen wrench 4 mm width
· Universal spanner
1097379 Universal key kit (pack of 3 pieces)

Art. No./Descr.
130542 Repair kit
92759 Air piston service unit
183780 Sealing kit

SATAjet® 1000 K RP®/HVLP



SATAjet 1000 K RP

Technical Data		Inlet pressure: 2.5 bar									
		Air consumption at 2.5 bar: 410 NI/min									
		Spray distance: 17 cm - 21 cm									
		Material connection: 3/8" male thread									
Nozzle	0,8	1,1	1,3	1,5	1,7	2,0	2,5	3,0	4,0	5,0	

Spray gun											
Art. No.	132092	132100	132118	132126	132134	132142	153486	153494			
									154336	-	

Spray gun with lifetime prolonging surface on fluid tip and paint needle											
Art. No.	141903	141911	141929	141937	141945	141952	-	-	-	-	

Spray gun with slit nozzle											
Art. No.	-	-	-	-	-	-	154344	154351	154369	-	

Nozzle set											
Art. No.	132159	132167	132175	132183	132191	132209	153528	153536			
									154377	154385	

Nozzle set with lifetime prolonging surface of fluid tip and paint needle											
Art. No.	141648	141655	141663	141689	141697	141705	159442	-	-	-	

Slit nozzle set											
Art. No.							154393	154401	154419	-	

SATAjet 1000 K RP for adhesive applications											
161232	SATAjet 1000 K RP nozzle 1.6 D twisted round spray, material connection 3/8" (male thread)										
159707	Nozzle set SATAjet 1000 K RP 1.6 twisted round spray										
211979	SATAjet 1000 K RP nozzle 1.3 DA for dispersion adhesives, material connection 3/8" (male thread)										
211961	Nozzle set SATAjet 1000 K RP 1.3 DA, for dispersion adhesives										



SATAjet 1000 K HVLP

Technical Data		Inlet pressure: 2.5 bar									
		Air consumption at 2.5 bar: 530 NI/min									
		Spray distance: 10 cm - 15 cm									
		Material connection: 3/8" male thread									
Nozzle	0,8	1,0	1,2	1,4	1,6	2,0					

Spray gun											
Art. No.	139196	139204	139212	193664	139220	139238					

Spray gun with lifetime prolonging surface on fluid tip and paint needle											
Art. No.	141960	141978	141986	-	142000	142018					

Nozzle set											
Art. No.	139253	139261	139279	191387	139287	139295					

Nozzle set with lifetime prolonging surface of fluid tip and paint needle											
Art. No.	141762	141770	141804	-	141812	141838					

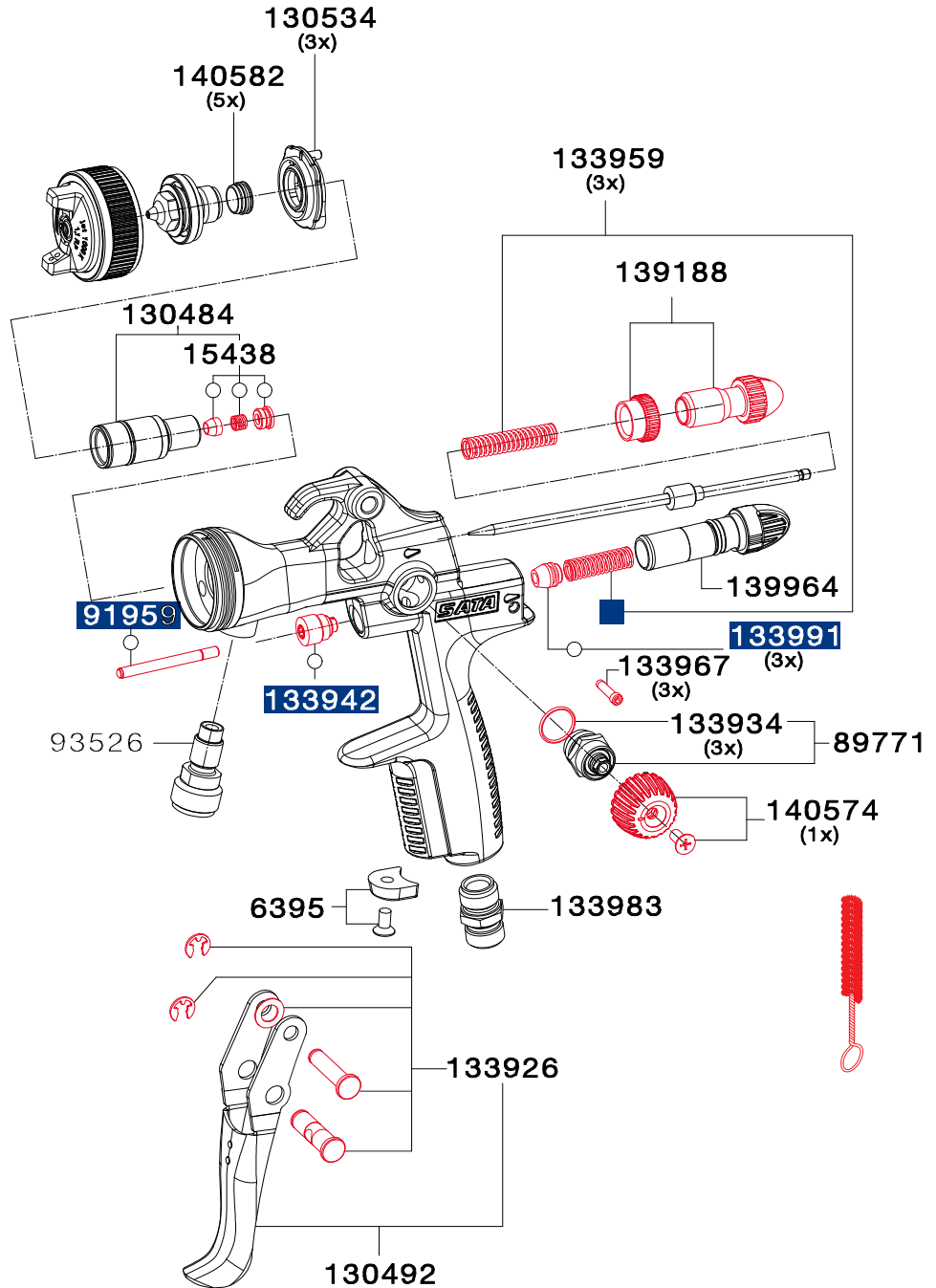
Required accessories for SATA pressure fed spray guns											
92031	SATA paint tube G 3/8" (female thread) - 3/8" (male thread) for SATA pressure fed spray guns										
38265	SATA paint strainer 60 msh, G 3/8" (female thread) and 3/8" (male thread) for SATA pressure fed spray gun except for SATAminijet										

Further accessories as well as material and air connections see pages 50 | 51 and 64 | 65. Extensions see page 49.

All prices are recommended list prices. Errors, technical modifications and printing errors reserved.

Spare Parts SATAjet® 1000 K

Art. No./Descr.
6395 CCS Clips, green, blue, red, black packing unit 4 pieces)
15438 Paint needle packing
89771 Spindle, cpl., f. round / flat spray control SATAjet 2000 HVLV
91959 Air piston rod
93526 Material connection, stainless steel
130484 Insert, cpl.
130492 Trigger kit
130534 Air distribution ring (packing unit 3 pieces)
133926 Trigger sleeve kit
133934 Sealing (packing unit 3 pieces) for spindle
133942 Seal retainer, cpl.
133959 Pressure spring (3 pieces) for paint needle and air piston
133967 Adjustment screw (packing unit 3 pieces) for air micrometer
133983 Air connection piece 1/4" male thread
133991 Air piston head (packing unit 3 pieces)
139188 Material flow control with counter nut
139964 Air micrometer
140574 Control knob with screw
140582 Sealing element (packing unit 5 pieces) for fluid tip



All prices are recommended list prices. Errors, technical modifications and printing errors reserved.

Art. No./Descr.
9050 Tool kit · Extraction tool · Paint strainer · Cleaning brush · Allen wrench 2 mm width · Allen wrench 4 mm width · Universal spanner
1097379 Universal key kit (pack of 3 pieces)

Art. No./Descr.
130542 Repair kit
92759 Air piston service unit
○ 183780 Sealing kit

SATAjet® 1000 H RP®



SATAjet 1000 H RP

Technical Data	Inlet pressure: 2.5 bar
	Air consumption at 2.0 bar: 275 NI/min
	Spray distance: 17 cm - 21 cm

Nozzle	1,3	1,6	1,8	2,0
---------------	-----	-----	-----	-----

Standard with 1.0 l aluminium siphon cup **without** swivel joint

Art. No.	161034	151266	151274	153353	
-----------------	--------	--------	--------	--------	--

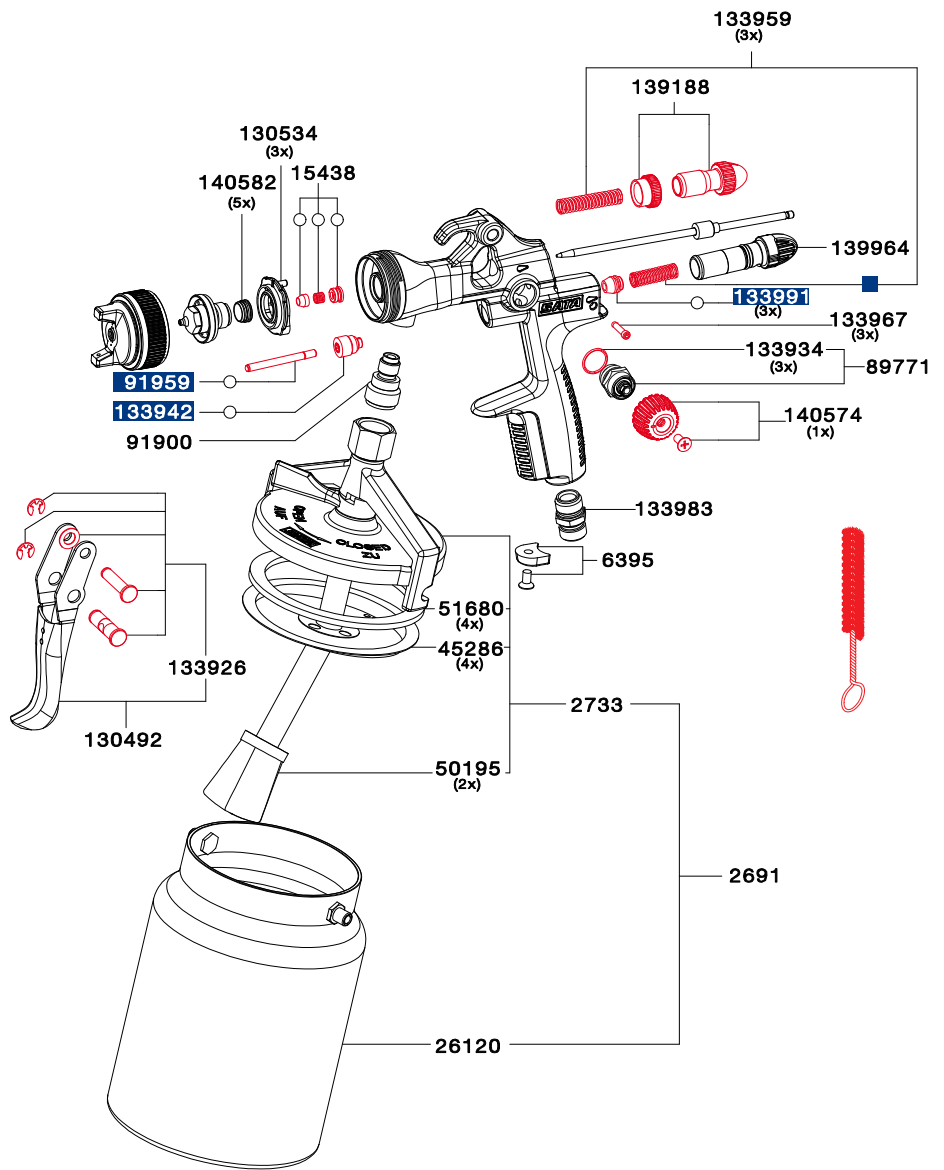
Nozzle set

Art. No.	161059	151613	151621	153379	
-----------------	--------	--------	--------	--------	--

All prices are recommended list prices. Errors, technical modifications and printing errors reserved.

Spare Parts SATAjet® 1000 H

Art. No./Descr.
2691 1.0 l aluminium suction cup, cpl.
2733 Lid fitting
6395 CCS Clips, green, blue, red, black packing unit 4 pieces)
15438 Paint needle packing
26120 1.0 l aluminium suction cup, without lid
45286 Anti-drip device (pack of 4 pieces)
50195 Strainer (packing unit 2 pieces)
51680 Sealing ring (packing unit 4 pieces)
89771 Spindle, cpl., f. round / flat spray control SATAjet 2000 HVLP
91900 Material connection, stainless steel
91959 Air piston rod
130492 Trigger kit
130534 Air distribution ring (packing unit 3 pieces)
133926 Trigger sleeve kit
133934 Sealing (packing unit 3 pieces) for spindle
133942 Seal retainer, cpl.
133959 Pressure spring (3 pieces) for paint needle and air piston
133967 Adjustment screw (packing unit 3 pieces) for air micrometer
133983 Air connection piece 1/4" male thread
133991 Air piston head (packing unit 3 pieces)
139188 Material flow control with counter nut
139964 Air micrometer
140574 Control knob with screw
140582 Sealing element (packing unit 5 pieces) for fluid tip



All prices are recommended list prices. Errors, technical modifications and printing errors reserved.

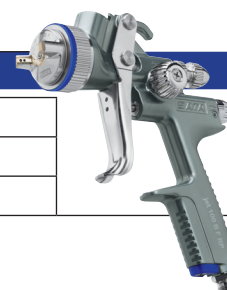
Art. No./Descr.	
9050	
Tool kit	
1097379	Universal key kit (pack of 3 pieces)

Art. No./Descr.
130542
Repair kit
92759
Air piston service unit
○ 183780
Sealing kit

SATAjet® 100 B F RP®/HVL P, B P



SATAjet 100 B F RP



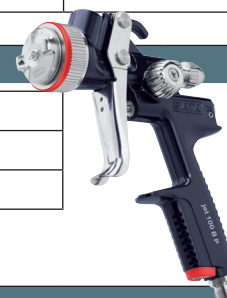
Technical Data	Inlet pressure: 1.5 bar - 2.0 bar				
	Air consumption at 2.0 bar: 290 NI/min				
	Spray distance: 17 cm - 21 cm				
Nozzle	1,1 UV	1,4	1,6	1,8	2,0
Spray gun with 0.6 l QCC reusable plastic gravity flow cup without swivel joint					
Art. No.	182592	146969	145193	145201	145219
Spray gun with 0.75 l QCC reusable aluminium gravity flow cup without swivel joint					
Art. No.	-	153023	146134	146142	147421
Spray gun with 0.6 l RPS multi-purpose cup without swivel joint					
Art. No.	203125	-	-	-	-
Nozzle	1,1 UV	1,4	1,6	1,8	2,0
Nozzle set					
Art. No.	182600	146977	145250	145268	145276

SATAjet 100 B F HVL P



Technical Data	Inlet pressure: 2.0 bar				
	Air consumption at 2.0 bar: 350 NI/min				
	Spray distance: 10 cm - 15 cm				
Nozzle	1,4	1,7	1,9	2,1	
Spray gun with 0.6 l QCC reusable plastic cup without swivel joint					
Art. No.	146373	145722	145730	145748	
Spray gun with 0.75 l QCC reusable aluminium gravity flow cup without swivel joint					
Art. No.	147447	146175	146183	147454	
Nozzle set					
Art. No.	146381	145417	145425	145433	

SATAjet 100 B P

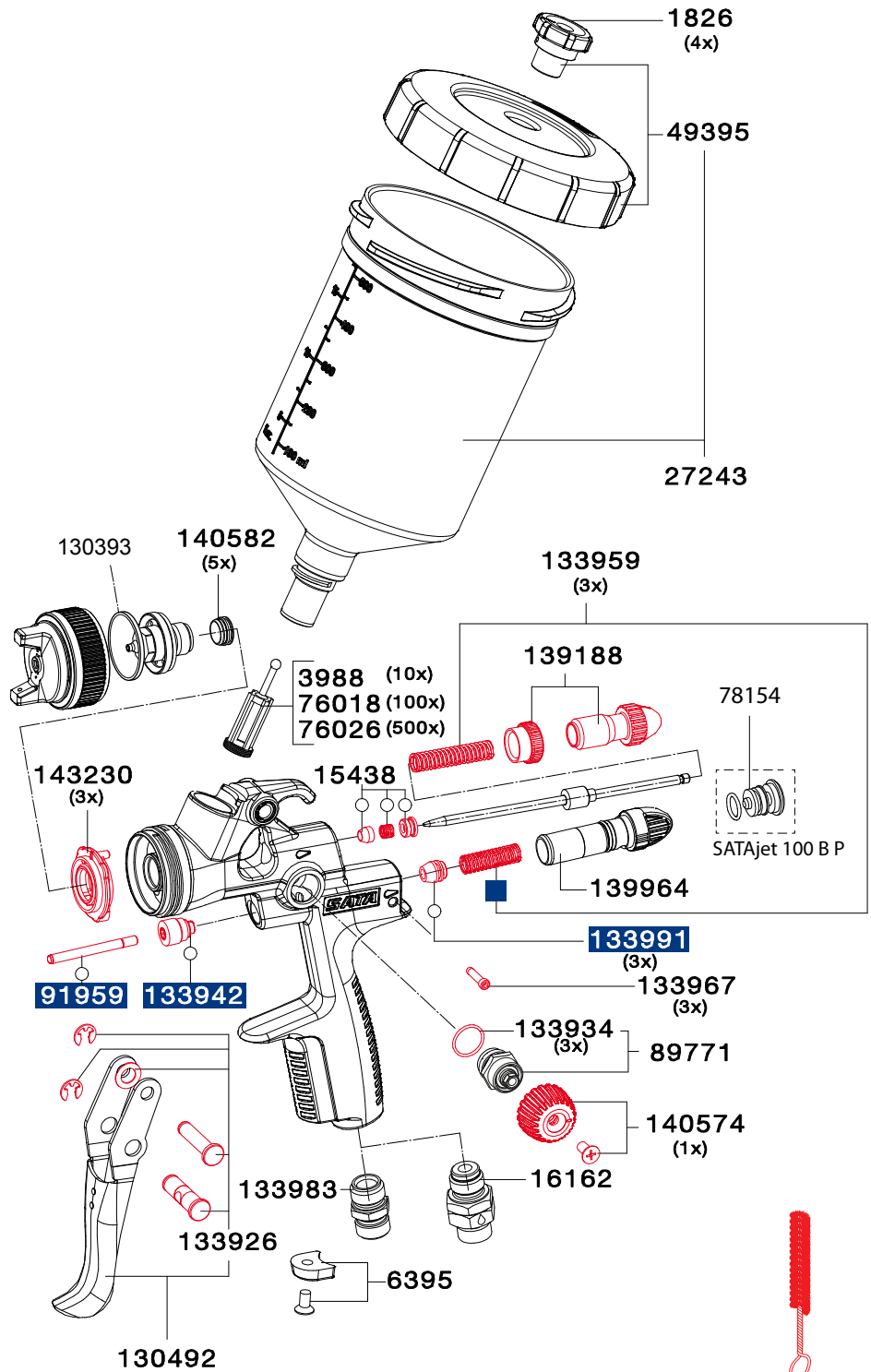


Technical Data	Inlet pressure: 1.5 bar - 2.0 bar				
	Air consumption at 2.0 bar: 245 NI/min				
	Spray distance: 17 cm - 21 cm				
Nozzle	P				
Spray gun with 0.6 l QCC reusable plastic gravity flow cup without swivel joint					
Art. No.	145185				
Spray gun with 0.75 l QCC reusable aluminium gravity flow cup without swivel joint					
Art. No.	146217				
Nozzle	P				
Nozzle set					
Art. No.	145284				

All prices are recommended list prices. Errors, technical modifications and printing errors reserved.

Spare Parts SATAjet® 100 B

Art. No./Descr.
1826 Anti-drip device (packing unit 4 pieces)
3988 Paint strainer, 300 µm (packing unit 10 pieces)
6395 CCS Clips, green, blue, red, black packing unit 4 pieces)
15438 Paint needle packing
27243 Reusable plastic cup, 0.6 l with QCC without fine thread
49395 Screw-on lid for 0.6 l PVC cup with drip-catching ring and non-drip device
76018 Paint strainer, 300 µm (packing unit 100 pieces)
76026 Paint strainer, 300 µm (packing unit 500 pieces)
78154 Closing cap
89771 Spindle, cpl., f. round / flat spray control SATAjet 2000 HVLP
91959 Air piston rod
130393 Sealing ring for air cap ring SATAjet 100 and 1000
130492 Trigger kit
133926 Trigger sleeve kit
133934 Sealing (packing unit 3 pieces) for spindle
133942 Seal retainer, cpl.
133959 Pressure spring (3 pieces) for paint needle and air piston
133967 Adjustment screw (packing unit 3 pieces) for air micrometer
133983 Air connection piece 1/4" male thread
133991 Air piston head (packing unit 3 pieces)
139188 Material flow control with counter nut
139964 Air micrometer
140574 Control knob with screw
140582 Sealing element (packing unit 5 pieces) for fluid tip
143230 Air distribution ring (packing unit 3 pieces)
16162 Swivel joint



All prices are recommended list prices. Errors, technical modifications and printing errors reserved.

Art. No./Descr.	
9050 Tool kit	
· Extraction tool	
· Paint strainer	
· Cleaning brush	
· Allen wrench 2 mm width	
· Allen wrench 4 mm width	
· Universal spanner	
1097379 Universal key kit (pack of 3 pieces)	

Art. No./Descr.
130542 Repair kit
92759 Air piston service unit
<input type="checkbox"/> 183780 Sealing kit



SATAmijet® 4400 B RP®/HVLV

SATAmijet 4400 B RP



Technical Data	Inlet pressure: 0.5 bar - 2.5 bar
	Air consumption at 2.5 bar: 200 NI/min
	Spray distance: 12 cm - 19 cm

Nozzle	0,5	1,4	1,6	0,8 SR	1,0 SR	1,2 SR	1,3 SR
---------------	-----	-----	-----	--------	--------	--------	--------

Standard / Spot Repair with 125 ccm QQC reusable plastic gravity flow cup

Art. No.	202416	198234	198242	198200	198218	198226	-		
-----------------	--------	--------	--------	--------	--------	--------	---	--	--

Spot-Repair with RPS multi-purpose cup 0.3 l (2x)

Art. No.	-	-	-	202390	198358	198366	1065136		
-----------------	---	---	---	--------	--------	--------	---------	--	--

Nozzle	0,5	1,4	1,6	0,8 SR	1,0 SR	1,2 SR	1,3 SR
---------------	-----	-----	-----	--------	--------	--------	--------

Nozzle set

Art. No.	202408	201319	201327	201285	201293	201301	1065037		
-----------------	--------	--------	--------	--------	--------	--------	---------	--	--

SATAmijet 4400 B HVLV



Technical Data	Inlet pressure: 0.5 bar - 2.0 bar
	Air consumption at 2.0 bar: 120 NI/min
	Spray distance: 12 cm - 15 cm

Nozzle	0,3	0,5	0,8	1,0	1,1	0,8 SR	1,0 SR	1,2 SR	1,4 SR
---------------	-----	-----	-----	-----	-----	--------	--------	--------	--------

Standard / Spot Repair with 125 ccm QQC reusable plastic gravity flow cup

Art. No.	197970	197988	197996	198002	198010	198069	198077	198085		
-----------------	--------	--------	--------	--------	--------	--------	--------	--------	--	--

Spot-Repair with RPS multi-purpose cup 0.3 l (2x)

Art. No.	-	-	-	-	-	198168	198176	198184	198192	
-----------------	---	---	---	---	---	--------	--------	--------	--------	--

Nozzle	0,3	0,5	0,8	1,0	1,1	0,8 SR	1,0 SR	1,2 SR	1,4 SR
---------------	-----	-----	-----	-----	-----	--------	--------	--------	--------

Nozzle set

Art. No.	201194	201202	201210	201228	201236	201244	201251	201269	201277	
-----------------	--------	--------	--------	--------	--------	--------	--------	--------	--------	--

198382	SATA design set with SATAmijet 4400 B HVLV 1.0										
---------------	--	--	--	--	--	--	--	--	--	--	--

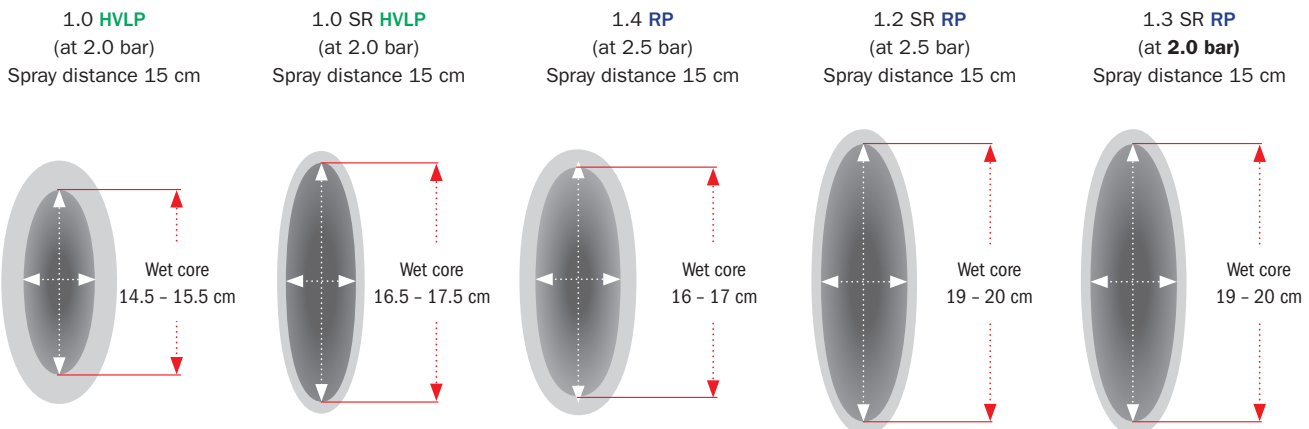
Spray fan comparison

SATAmijet 4400 B HVLV
Standard nozzle / SR nozzle

SATAmijet 4400 B RP
Standard nozzle / SR nozzle

SR nozzle especially for Spot Repair applications

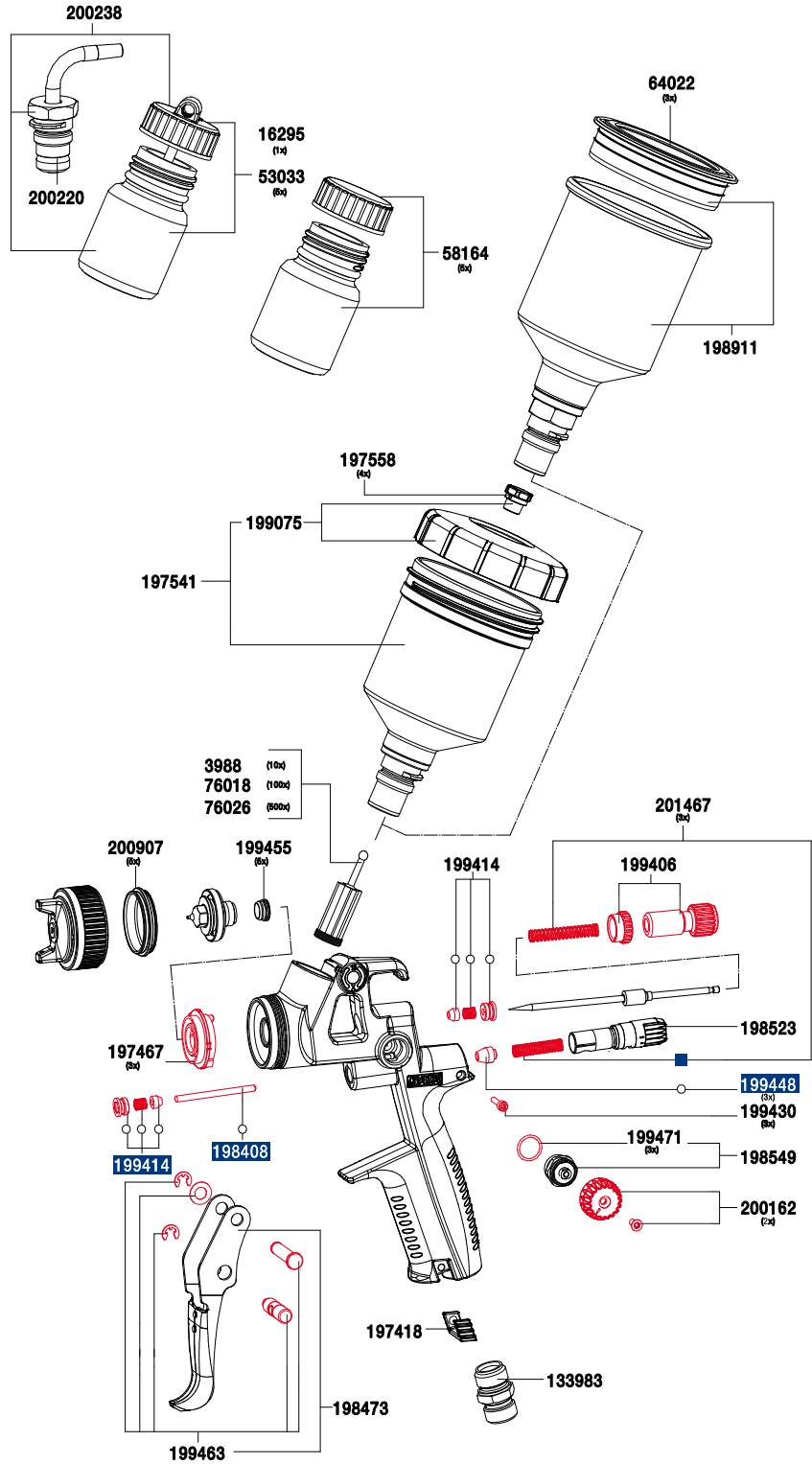
- Lower risk of creating bright edges
- Allows application of very thin layers of paint



All prices are recommended list prices. Errors, technical modifications and printing errors reserved.

Spare parts SATAmijnjet® 4400 B

Art. No./Descr.
3988 Paint strainer, 300 µm (packing unit 10 pieces)
16295 25 ml glass cup with plug-in cup
53033 25 ml glass cup with plug-in cup (packing unit 5 pieces)
58164 25 ml glass cup with blind lid (packing unit 5 pieces)
64022 Plastic lid (3 pieces)
76018 Paint strainer, 300 µm (packing unit 100 pieces)
76026 Paint strainer, 300 µm (packing unit 500 pieces)
133983 Air connection piece 1/4" male thread
197418 CCS Clips, green, blue, red, black (packing unit 4 pieces)
197467 Air distribution ring (packing unit 3 pieces)
197541 Reusable plastic cup, 0.125 l with QCC without fine thread
197558 Anti-drip device (packing unit 4 pieces)
198408 Air piston rod
198473 Trigger kit
198523 Air micrometer, complete
198549 Spindle for round / flat spray control
198911 Reusable aluminium cup, 0.15 l with QCC without fine thread
199075 Screw cap with drip catcher ring and anti-drip device
199406 Material flow control with counter nut
199414 Packing for paint needle and air piston rod
199430 Adjustment screw (packing unit 3 pieces) for air micrometer
199448 Air piston head (packing unit 3 pieces)
199455 Sealing element (packing unit 5 pieces) for fluid tip
199463 Trigger sleeve kit
199471 Gasket (packing unit 3 pieces) for spindle
201467 Pressure spring (each 3 pieces) for paint needle and air piston
200162 Control knob with screw (each 2 pieces)
200220 Plug-in cup connection with QCC
200238 25 ml glass cup with plug-in lid (packing unit 5 pieces) and QCC plug-in connection (packing unit 1 piece)
200907 Sealing ring (packing unit 5 pieces)

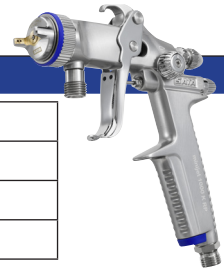


All prices are recommended list prices. Errors, technical modifications and printing errors reserved.

Art. No./Descr.	
198572	Tool kit
	<ul style="list-style-type: none"> • Universal spanner • Combi tool • Cleaning brush • Paint strainer • Extraction tool
1097379	Universal key kit (pack of 3 pieces)

Art. No./Descr.	
198614	Repair kit
199422	Air piston service unit
○ 200246	Sealing kit

SATAmijet® 1000 K RP®/HVL



SATAmijet 1000 K RP

Technical Data	Inlet pressure: 2.5 bar
	Air consumption at 2.5 bar: 200 NI/min
	Spray distance: 17 cm - 21 cm
	Material connection: 1/4" male thread

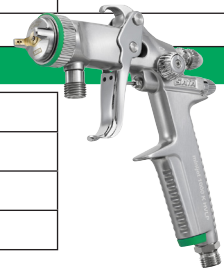
Nozzle	0,3	0,5	0,8	1,0	1,2	1,4
---------------	-----	-----	-----	-----	-----	-----

Spray gun

Art. No.	187450	187468	187476	187484	187492	197152	
-----------------	--------	--------	--------	--------	--------	--------	--

Nozzle set

Art. No.	187625	187633	187641	187658	187666	197160	
-----------------	--------	--------	--------	--------	--------	--------	--



SATAmijet 1000 K HVL

Technical Data	Inlet pressure: 2.5 bar
	Air consumption at 2.0 bar: 120 NI/min
	Spray distance: 10 cm - 15 cm
	Material connection: 1/4" male thread

Nozzle	0,3	0,5	0,8	1,0	1,2
---------------	-----	-----	-----	-----	-----

Spray gun

Art. No.	190280	190298	190306	190314	190322	
-----------------	--------	--------	--------	--------	--------	--

Nozzle set

Art. No.	190348	190355	190363	190371	190389	
-----------------	--------	--------	--------	--------	--------	--

Required Accessories

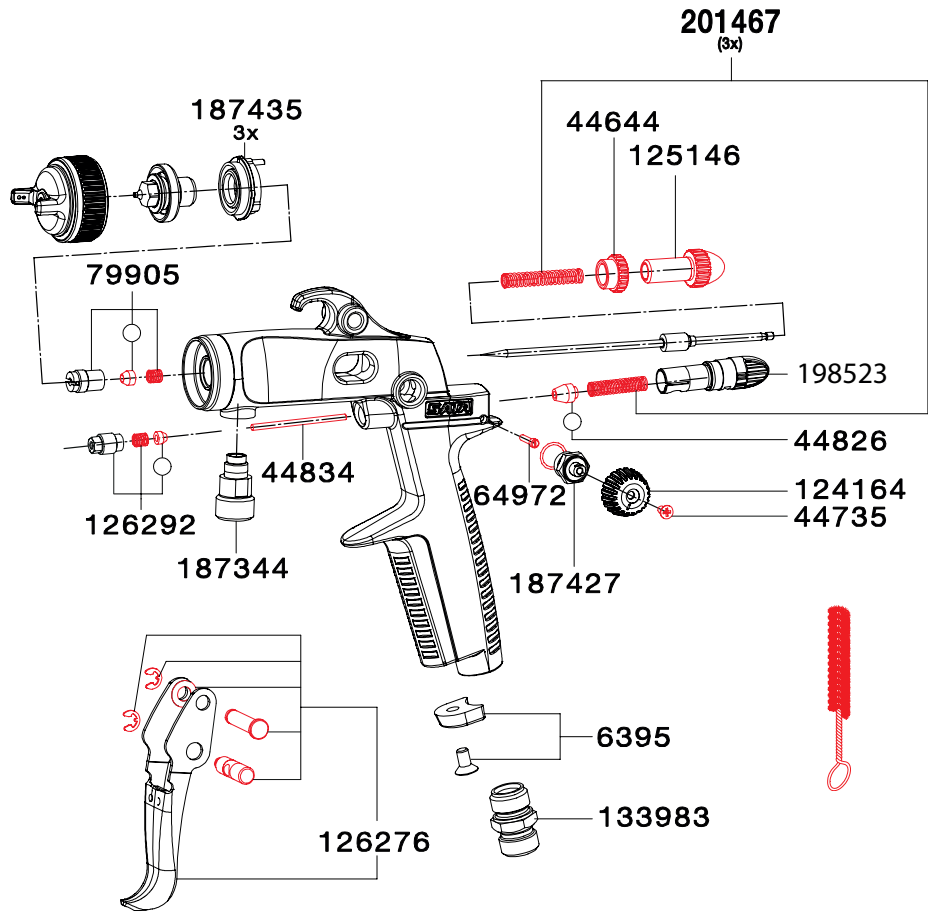
187419	SATA paint tube G 1/4 female thread - 1/4" male thread	
187690	SATA paint strainer 60 msh, 1/4" (male thread)	
199018	SATA paint tube G 1/4" (female thread) - 3/8" (male thread)	

Further accessories as well as material and air connections see pages 50 | 51 and 64 | 65.

All prices are recommended list prices. Errors, technical modifications and printing errors reserved.

Spare Parts SATAminijet® 1000 K

Art. No./Descr.
6395 CCS Clips, green, blue, red, black packing unit 4 pieces)
44644 Counter nut
44735 Countersunk screw M 2.5 x 5, VA
44826 Air piston head
44834 Air piston rod
64972 Adjustment screw for air micrometer
79905 Paint needle packing
124164 Control knob
125146 Material flow control screw
126276 Trigger kit
126292 Packing kit air piston rod SATAminijet 3000 B HVLP; minijet 4 HVLP
133983 Air connection piece 1/4" male thread
187344 Material connection, stainless steel
187427 Spindle for round/flat control
187435 Air distribution ring (packing unit 3 pieces)
198523 Air micrometer, complete
201467 Pressure spring (each 3 pieces) for paint needle and air piston

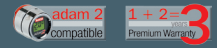


All prices are recommended list prices. Errors, technical modifications and printing errors reserved.

Art. No./Descr.
125856 Tool kit
<ul style="list-style-type: none"> · Extraction tool · Cleaning brush · Wrench · Universal spanner

Art. No./Descr.
126284 Repair kit
○ 50658 Sealing kit

SATAjet® H



SATAjet H

Technical Data

Inlet pressure: 4.0 bar
 Air consumption at 4.0 bar: 380 NI/min
 Spray distance: 18 cm - 23 cm

Nozzle	1,5	MSH	2,0
---------------	-----	-----	-----

Spray gun with 1.0 l aluminium siphon cup

Art. No.	23721	23747	23739	
-----------------	-------	-------	-------	--

Nozzle	1,5	MSH	2,0
---------------	-----	-----	-----

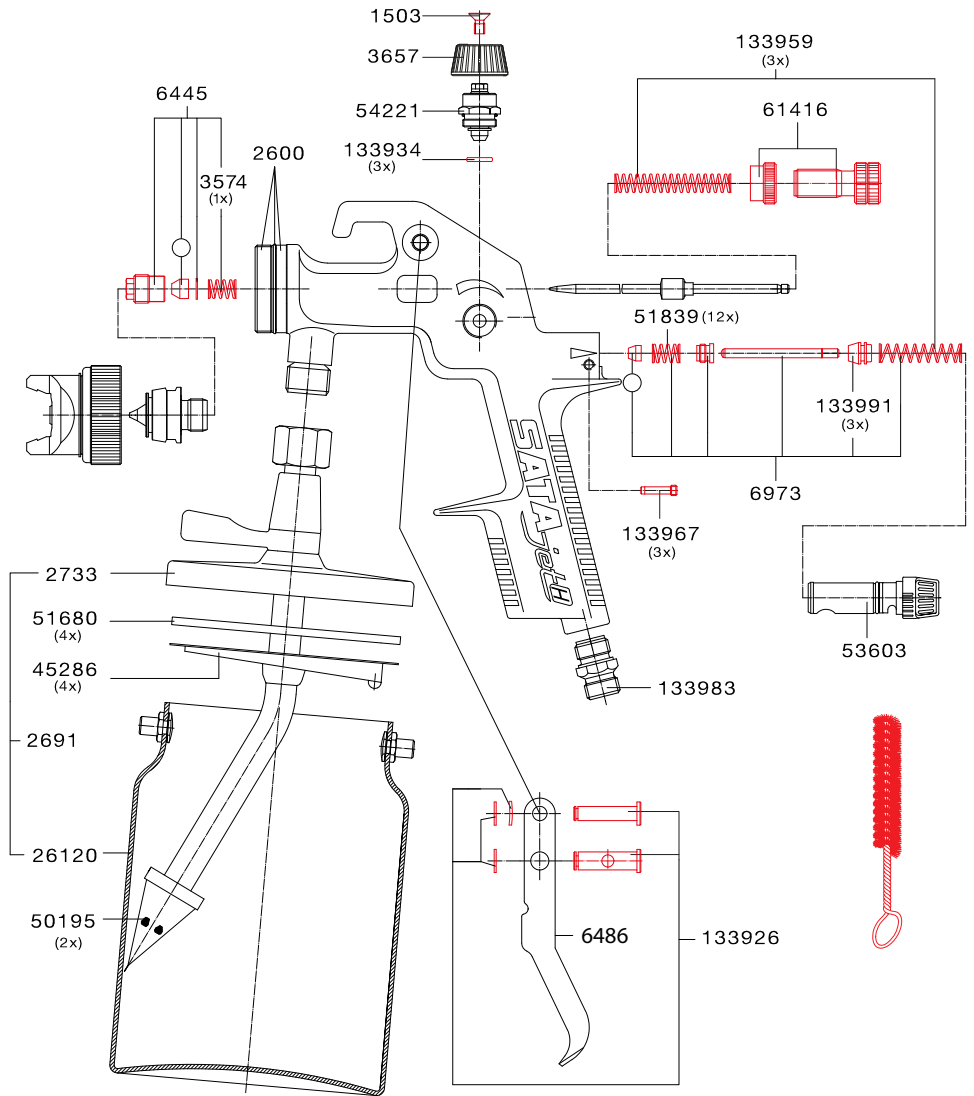
Nozzle set

Art. No.	23663	23697	23689	
-----------------	-------	-------	-------	--

All prices are recommended list prices. Errors, technical modifications and printing errors reserved.

Spare Parts SATAjet® H

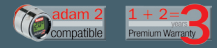
Art. No./Descr.
1503 Countersunk screw M4 x 8 DIN 965, stainless steel, for micrometer und round/flat spray control
2600 Service unit for nozzle insert for SATAjet/B, H, K and NR 92, consisting of nozzle insert, distribution plate and sealing ring
2691 1.0 l aluminium suction cup, cpl.
2733 Lid fitting
3574 Pressure spring for
3657 Control knob
6445 Paint needle packing
6486 Trigger kit
6973 Air piston servicing unit
26120 1.0 l aluminium suction cup, without lid
45286 Anti-drip device (pack of 4 pieces)
50195 Strainer (packing unit 2 pieces)
51680 Sealing ring (packing unit 4 pieces)
51839 Pressure spring (packing unit 12 pieces) for air piston packing
53603 Air micrometer
54221 Spindle complete, for SATAjet/90, SATAjet, regulation valve and MC-B
61416 Material flow control with counter nut
133926 Trigger sleeve kit
133934 Sealing (packing unit 3 pieces) for spindle
133959 Pressure spring (3 pieces) for paint needle and air piston
133967 Adjustment screw (packing unit 3 pieces) for air micrometer
133983 Air connection piece 1/4" male thread
133991 Air piston head (packing unit 3 pieces)



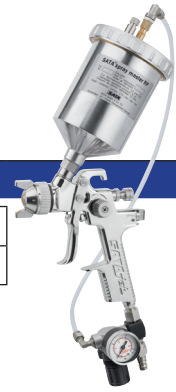
All prices are recommended list prices. Errors, technical modifications and printing errors reserved.

Art. No./Descr.
9654 Tool kit
· Paint strainer
· Cleaning brush
· Socket wrench 7 mm width
· Internal hexagonal wrench 2/4 mm width
· Universal spanner

Art. No./Descr.
70623 Repair kit
○ 50666 Sealing kit



SATA® spray master RP®



SATA spray master RP

Technical Data	Inlet pressure: 2.0 bar
	Air consumption: 230 NI/min

Nozzle	SM	1,7	2,0
---------------	----	-----	-----

Spray gun with 0.7 l pressurised cup, pressure gauge and reducing valve

Art. No.	72900	73734	74120		
-----------------	-------	-------	-------	--	--

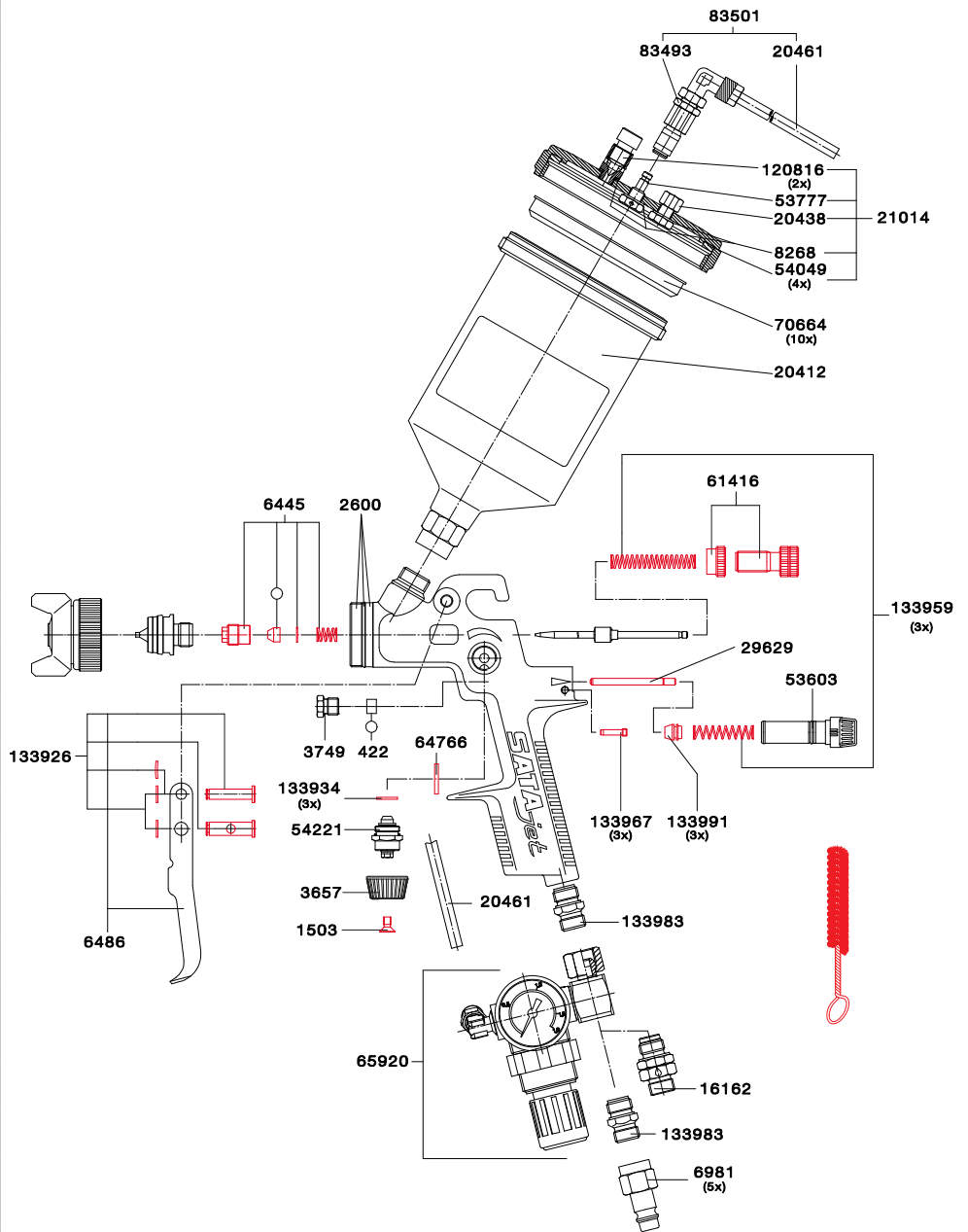
Nozzle set

Art. No.	77982	73791	78279		
-----------------	-------	-------	-------	--	--

All prices are recommended list prices. Errors, technical modifications and printing errors reserved.

Spare Parts SATA® spray master RP®

Art. No./Descr.
422
Gasket for air piston
1503
Countersunk screw M4 x 8 DIN 965, stainless steel, for micrometer und round/flat spray control
2600
Service unit for nozzle insert for SATAjet/B, H, K and NR 92, consisting of nozzle insert, distribution plate and sealing ring
3657
Control knob
3749
Stuffing box for air piston SATAjet, KL, HKD and MC-B
6445
Paint needle packing
6486
Trigger kit
6981
SATA quick coupling nipple G 1/4" (female thread) (packing unit 5 pieces)
8268
Sealing ring
16162
Swivel joint
20412
0.7 l pressure pot, aluminium without lid
20438
Safety pressure relief valve BVD
20461
Plastic air hose for BVD and agitator cup
21014
Aluminium lid, cpl.
29629
Air piston rod
53603
Air micrometer
53777
Air connection for aluminium lid
54049
Sealing ring (packing unit 4 pieces)
54221
Spindle complete, for SATAjet/90, SATAjet, regulation valve and MC-B
61416
Material flow control with counter nut
64766
Washer
65920
Control fittings, complete, for BVD pressurized cup connection kit (GR and LM)
70664
Anti-drip device (packing unit 10 pieces)
83493
Connection for pressurised cup, cpl.
83501
Air hose cpl. w. pressurized cup connection, for SATA Spray-Master
120816
Pressure release screw (packing unit 2 pieces)
133926
Trigger sleeve kit
133934
Sealing (packing unit 3 pieces) for spindle
133959
Pressure spring (3 pieces) for paint needle and air piston
133967
Adjustment screw (packing unit 3 pieces) for air micrometer
133983
Air connection piece 1/4" male thread
133991
Air piston head (packing unit 3 pieces)



All prices are recommended list prices. Errors, technical modifications and printing errors reserved.

Art. No./Descr.
9654
Tool kit
· Paint strainer
· Cleaning brush
· Socket wrench 7 mm width
· Internal hexagonal wrench 2/4 mm width
· Universal spanner



Art. No./Descr.
70623
Repair kit
○ 9829
Sealing kit
73254
Repair kit for control fitting



SATAjet® 20 B



SATAjet 20 B

Technical Data	Inlet pressure: 1.0 bar
	Air consumption at 1.5 bar: 40 NI/min
	Spray distance: variable

Nozzle	0,2 fineline	0,2	0,35	0,5	0,8	1,0
---------------	--------------	-----	------	-----	-----	-----

Spray gun with 65 ml PVC cup							
Art. No.	–	65078	65581	65649	66316	69229	
Art. No.	189035						

Spray gun with 65 ml plastic cup, glass plug-on cup and 3 glass jars with blank lid							
Art. No.	–	86181	86199	86207	86215	86223	
Nozzle	0,2 fineline	0,2	0,35	0,5	0,8	1,0	

Nozzle set							
Art. No.	–	60459	60640	61200	61341	61523	
Art. No.	189043						

Line thicknesses SATAjet 20 B

0.2 mm		Nozzle set fineline 0.2
0.6 mm		Nozzle set 0.2
0.8 mm		Nozzle set 0.35
1.1 mm		Nozzle set 0.5
1.5 mm		Nozzle set 0.8
1.9 mm		Nozzle set 1.0

SATA jet 20 B design set

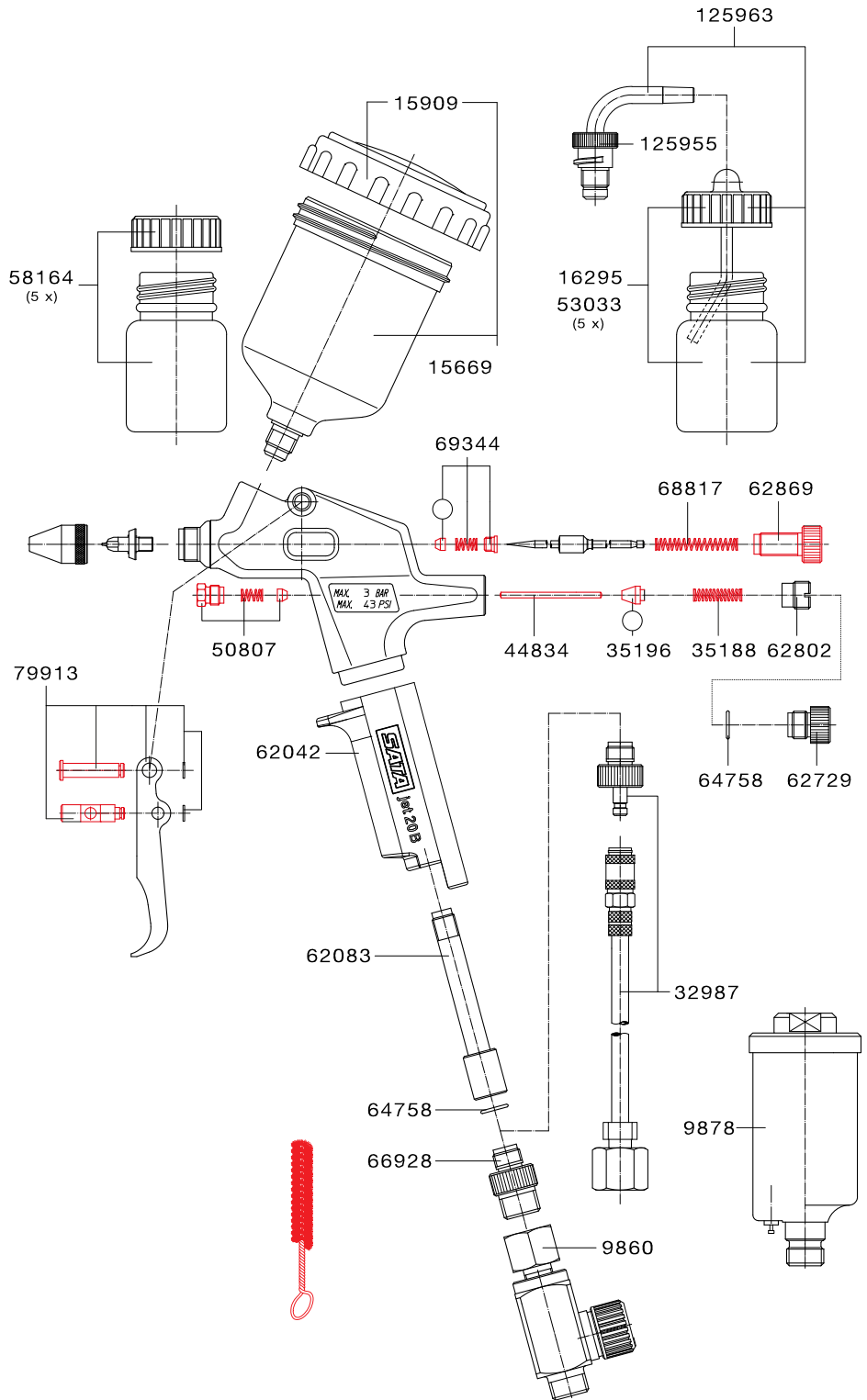
90381	SATAjet 20 B design set 0.5 with accessories in case Contains: various cup versions such as plastic cup, plug-in cup, glass cup, cleaning kit, SATA air micrometer with pressure gauge, spray gun stand, tool kit, nozzle set, PVC compressed air hose.	
-------	--	--

Completely assembled air hoses see page 122.

All prices are recommended list prices. Errors, technical modifications and printing errors reserved.

Spare Parts SATAjet® 20 B

Art. No./Descr.
9860 SATA air micrometer 0-845, 1/4" (male thread) and G 1/4" (female thread)
9878 SATA mini filter 1/4" (male thread)
15669 65 ml PVC reusable cup, cpl.
15909 PVC screw-on lid 65 ccm PVC cup SATAjet 20 B, dekor 2000
16295 25 ml glass cup with plug-in cup
32987 SATA PVC compressed air hose, transparent, 3 m long with G 1/4" (female thread), mini quick coupling and nipple
35188 Pressure spring for air piston
35196 Air piston head
44834 Air piston rod
50807 Service unit air piston rod SATAjet 20 B, dekor 2000, minijet 3 HVLP
53033 25 ml glass cup with plug-in cup (packing unit 5 pieces)
58164 25 ml glass cup with blind lid (packing unit 5 pieces)
62042 Spray gun handle SATAjet 20 B, dekor 2000
62083 Air pipe
62729 Closing screw SATAjet 20 B, dekor 2000
62802 Compression screw 1/8" (male thread)
62869 Material flow control screw
64758 O-ring
66928 Air connection 1/8" (male thread) - 1/4" (male thread)
68817 Pressure spring for paint needle
69344 Paint needle packing
79913 Trigger kit
125955 Plug-in cup connection with QCC SATAjet 20 B, dekor 2000, minijet 3000 B HVLP, minijet 4 HVLP
125963 25 ml glass cup with plug-in lid (packing unit 5 pieces) and QCC plug-in connection (packing unit 1 piece)



All prices are recommended list prices. Errors, technical modifications and printing errors reserved.

Art. No./Descr.

- 9373
Tool kit
- Cleaning brush
 - Universal spanner
 - Hexagonal screwdriver



Art. No./Descr.

- 91165
Repair kit
- 69427
Sealing kit

SATAgaph™ 1/3/4

SATAgaph 1 - The Starter Model

Technical Data	Inlet pressure: variable
	Air consumption: 10 NI/min
	Spray distance: variable



Nozzle	0,25	0,45
---------------	------	------

Each with aluminium case

134544	SATAgaph 1 0.25 with 2.5 ml gravity flow cup, in aluminium case, without hose	
139568	SATAgaph 1 0.25 with 5 ml suction cup, in aluminium case, without hose	
141408	SATAgaph 1 0.45 with 5 ml suction cup, in aluminium case, without hose	

Nozzle	0,25	0,45
---------------	------	------

Nozzle set

Art. No.	134619	134635	
-----------------	--------	--------	--

SATAgaph 3 - Premium Airbrush for Professionals

Technical Data	Inlet pressure: variable
	Air consumption: 10 NI/min
	Spray distance: variable



Nozzle	0,15	0,25	0,45	0,65
---------------	------	------	------	------

Each with aluminium case

134551	SATAgaph 3 0.25 with 2.5 ml gravity flow cup, PVC air hose 3m with mini quick coupling and G 1/4" (female thread)	
134569	SATAgaph 3 0.25 with 2.5 ml gravity flow cup, in aluminium case, without hose	
134577	SATAgaph 3 0.25 with 5 ml siphon cup, PVC air hose 3 m with mini quick coupling and G 1/4" (female thread)	
134585	SATAgaph 3 0.25 with 5 ml siphon cup, in aluminium case, without hose	

Nozzle	0,15	0,25	0,45	0,65
---------------	------	------	------	------

Nozzle set

Art. No.	134643	134650	134668	134676	
-----------------	--------	--------	--------	--------	--

SATAgaph 4* - Universal airbrush gun

Technical Data	Inlet pressure: variable
	Air consumption: 10 NI/min
	Spray distance: variable



Nozzle	0,5
---------------	-----

227629	SATAgaph 4 nozzle 0.5 with 7 ml standard cup	
227637	SATAgaph 4 nozzle 0.5 with 7 ml side cup	
227645	SATAgaph 4 nozzle 0.5 with 6 ml suction cup	

Nozzle	0,5
---------------	-----

Nozzle set

Art. No.	227363	
-----------------	--------	--

* SATAgaph 4 is supplied without hoses and quick coupling nipple. These components have to be ordered separately (see spare parts)
Air hose for design spray guns see page 122.

All prices are recommended list prices. Errors, technical modifications and printing errors reserved.

Spare Parts SATAgaph™ 1/3/4

Art. No./Descr.

SATAgaph 1

32615	Coupling nipple (packing unit 3 pieces)
134767	2.5 ml gravity flow cup, cpl.
134775	5 ml gravity flow cup, cpl.
134783	5 ml suction cup, cpl.
134809	Trigger
138909	O-ring (packing unit 5 pieces)
142638	O-Ring (packing unit 5 pieces)

SATAgaph 3

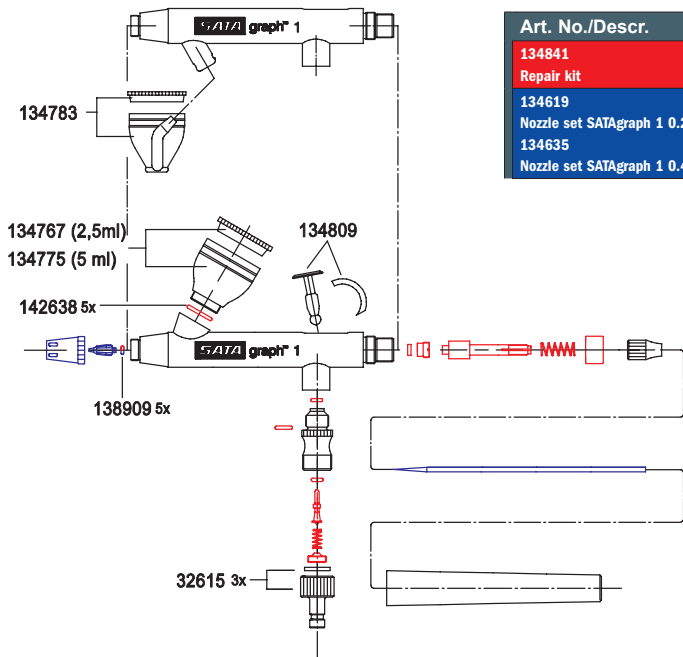
32615	Coupling nipple (packing unit 3 pieces)
134767	2.5 ml gravity flow cup, cpl.
134775	5 ml gravity flow cup, cpl.
134783	5 ml suction cup, cpl.
134817	Needle cap
134833	Grip end piece
134957	Trigger
138909	O-ring (packing unit 5 pieces)
142638	O-Ring (packing unit 5 pieces)

SATAgaph 4

227108	Wrench for nozzle head
227116	O-Ring (packing unit 5 pieces)
227215	Trigger
227231	Handle end piece, complete
227249	Protection cap for paint needle
227256	23 ml glass cup, cpl.
227264	6 ml metal suction cup, cpl.
227272	7 ml metal side cup, cpl.
227280	Plug for material supply from the side, red
227306	Lid for metal paint cup, side cup and gravity flow cup version
227314	30 ml glass cup, cpl. with neutral lid
227322	30 ml glass cup, cpl.
227330	23 ml glass cup, cpl. with Fast Blast

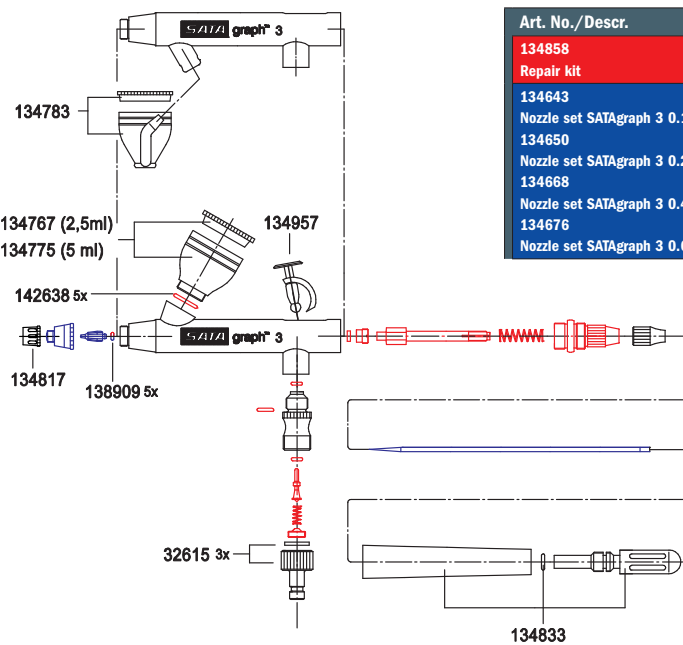
Hoses and nipples

32615	Coupling nipple (packing unit 3 pieces)
32987	SATA PVC compressed air hose, transparent, 3 m long with G 1/4" (female thread), mini quick coupling and nipple Please always order the following article: 32615 Coupling nipple (packing unit 3 pieces)
134791	SATA Fibre air hose, 2.5 m long with G 1/4" (female thread), mini quick coupling



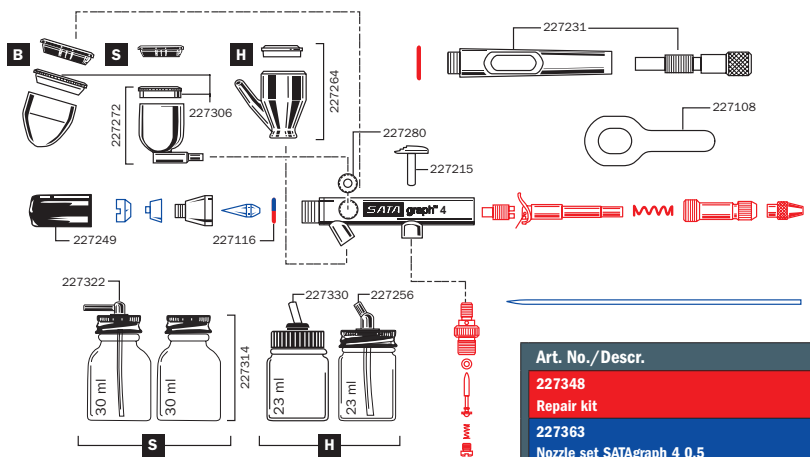
Art. No./Descr.

134841	Repair kit
134619	Nozzle set SATAgaph 1 0.25
134635	Nozzle set SATAgaph 1 0.45



Art. No./Descr.

134858	Repair kit
134643	Nozzle set SATAgaph 3 0.15
134650	Nozzle set SATAgaph 3 0.25
134668	Nozzle set SATAgaph 3 0.45
134676	Nozzle set SATAgaph 3 0.65



Art. No./Descr.

227348	Repair kit
227363	Nozzle set SATAgaph 4 0.5

All prices are recommended list prices. Errors, technical modifications and printing errors reserved.

Extensions SATAjet® 1000 B RP®

Extensions SATAjet 1000 B RP			
154211	Extension with standard nozzle (0°), 20 cm with nozzle set 1.6 RP for SATAjet 1000 B RP		
154229	Extension with standard nozzle (0°), 30 cm with nozzle set 1.6 RP for SATAjet 1000 B RP		
154237	Extension with standard nozzle (0°), 40 cm with nozzle set 1.6 RP for SATAjet 1000 B RP		
154252	Extension with diagonal spray nozzle (30°), 20 cm with nozzle set 1.6 RP for SATAjet 1000 B RP		
154260	Extension with diagonal spray nozzle (30°), 30 cm with nozzle set 1.6 RP for SATAjet 1000 B RP		
154278	Extension with diagonal spray nozzle (30°), 40 cm with nozzle set 1.6 RP for SATAjet 1000 B RP		
178533	Extension with diagonal spray nozzle (90°), swiveling, 40 cm with nozzle set 1.6 RP for SATAjet 1000 B RP, preferably with BVD pressurized cup		
185520	Extension with diagonal spray nozzle (90°), swivelling, 20 cm with nozzle set 1.6 RP for SATAjet 1000 B RP, preferably with BVD pressurized cup		
154294	Extension with angular head nozzle (90°), 20 cm with nozzle set 1.6 RP for SATAjet 1000 B RP		
154302	Extension with diagonal spray nozzle (90°), 30 cm with nozzle set 1.6 RP for SATAjet 1000 B RP		
154310	Extension with angular head nozzle (90°), 40 cm with nozzle set 1.6 RP for SATAjet 1000 B RP		
196162	Extension with rotary nozzle (360°), 20 cm with nozzle set 1.6 RP for SATAjet 1000 B RP, function exclusively with SATA BVD pressurized cup		
196170	Extension with rotary nozzle (360°), 30 cm with nozzle set 1.6 RP for SATAjet 1000 B RP, function exclusively with hSATA BVD pressurized cup		
196188	Extension with rotary nozzle (360°), 40 cm with nozzle set 1.6 RP for SATAjet 1000 B RP, function exclusively with SATA BVD pressurized cup		

Custom-made versions for extension upon request!

All prices are recommended list prices. Errors, technical modifications and printing errors reserved.

Extensions SATAjet® 1000 K RP®

Extensions SATAjet 1000 K RP			
154435	Extension with standard nozzle (0°), 20 cm with nozzle set 1.5 RP for SATAjet 1000 K RP		
154443	Extension with standard nozzle (0°), 30 cm with nozzle set 1.5 RP for SATAjet 1000 K RP		
154450	Extension with standard nozzle (0°), 40 cm with nozzle set 1.5 RP for SATAjet 1000 K RP		
154476	Extension with diagonal spray nozzle (30°), 20 cm with nozzle set 1.6 RP for SATAjet 1000 K RP		
154484	Extension with diagonal spray nozzle (30°), 30 cm with nozzle set 1.6 RP for SATAjet 1000 K RP		
154492	Extension with diagonal spray nozzle (30°), 40 cm with nozzle set 1.6 RP for SATAjet 1000 K RP		
154559	Extension with angular head nozzle (90°), 20 cm with nozzle set 1.5 RP for SATAjet 1000 K RP		
154567	Extension with angular head nozzle (90°), 30 cm with nozzle set 1.6 RP for SATAjet 1000 K RP		
154575	Extension with angular head nozzle (90°), 40 cm with nozzle set 1.5 RP for SATAjet 1000 K RP		
154518	Extension with rotary nozzle (360°), 20 cm with nozzle set 1.6 RP for SATAjet 1000 K RP		
154526	Extension with rotary nozzle (360°), 30 cm with nozzle set 1.6 RP for SATAjet 1000 K RP		
154534	Extension with rotary nozzle (360°), 40 cm with nozzle set 1.6 RP for SATAjet 1000 K RP		

Custom-made versions for extension upon request!

All prices are recommended list prices. Errors, technical modifications and printing errors reserved.

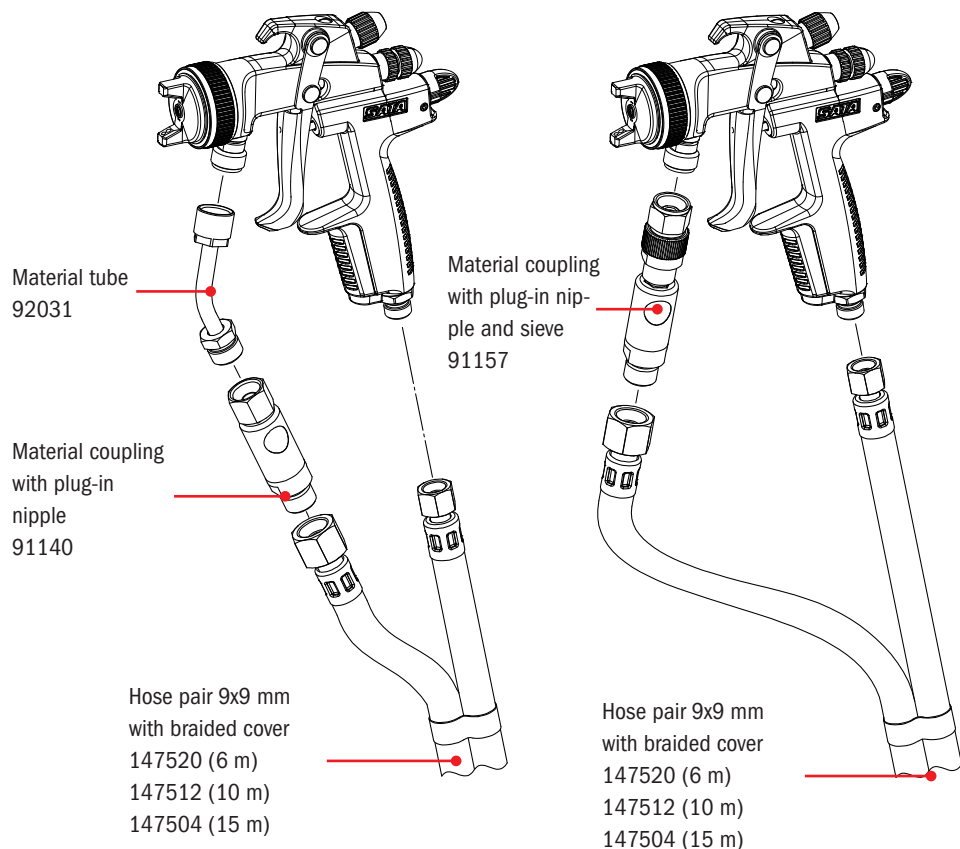
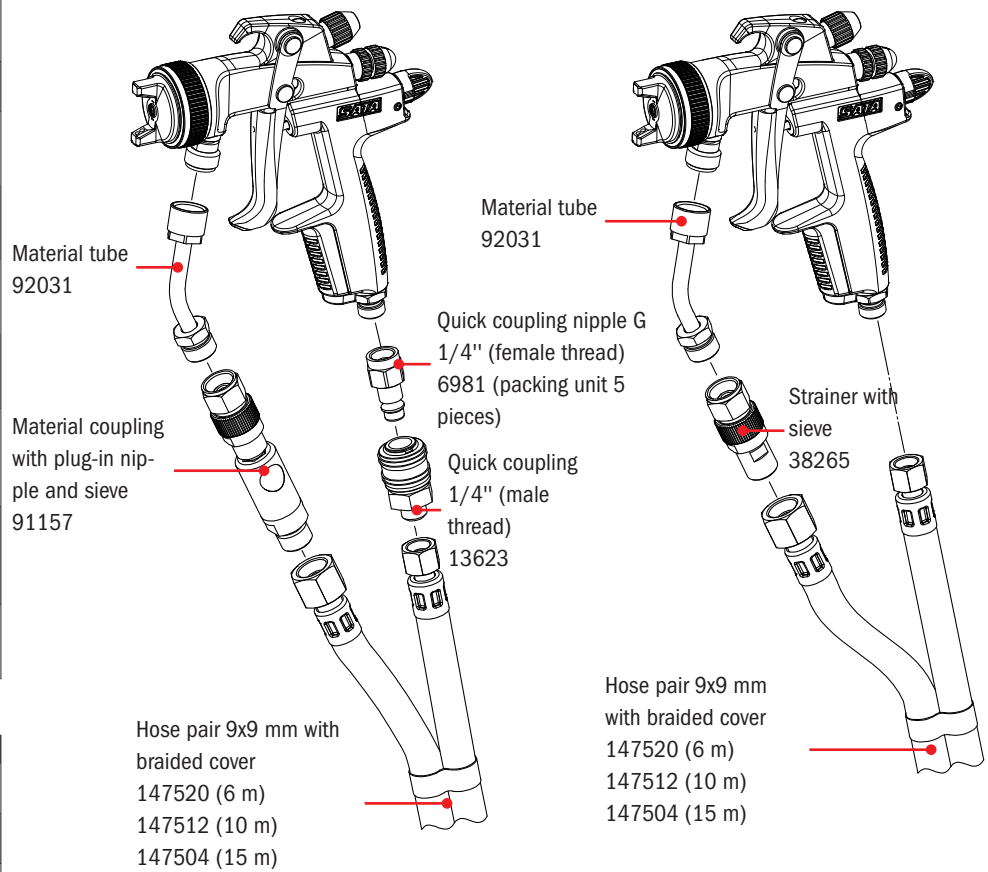
Material and air connection SATAJet® 3000 K, 1000 K

Art. No./Descr.
6981 SATA quick coupling nipple G 1/4" (female thread) (packing unit 5 pieces)
13623 SATA quick coupling 1/4" (male thread)
38265 SATA paint strainer 60 msh, G 3/8" (female thread) and 3/8" (male thread)
91140 SATA material coupling 3/8" (male thread) with plug-in nipple G 3/8" (female thread)
91157 SATA material coupling 3/8" (male thread) with plug-in nipple G 3/8" (female thread) and material strainer 60 msh
92031 SATA paint tube G 3/8" (female thread) - 3/8" (male thread)
147504 SATA hose pair 9 x 9 mm, 15 m, with covering fabric netting, G 3/8" and G 1/2" (material), G 1/4" (air) (female thread)
147512 SATA hose pair 9 x 9 mm, 10 m, with covering fabric netting, G 3/8" and G 1/2" (material), G 1/4" (air) (female thread)
147520 SATA hose pair 9 x 9 mm, 6 m, with covering fabric netting, G 3/8" and G 1/2" (material), G 1/4" (air) (female thread)

Spare sieves

Art. No./Descr.
12260 Sieve 60 msh (packing unit 4 pieces)
12278 Sieve, 100 msh (packing unit 4 pieces)
74856 Strainer kit: Sieve 200 msh (4 pcs.) strainer holder (2 pcs.), screw (1 pcs.)

Hose pairs see page 122



All prices are recommended list prices. Errors, technical modifications and printing errors reserved.

Material and air connection SATAmijnjet® 1000 K

Art. No./Descr.

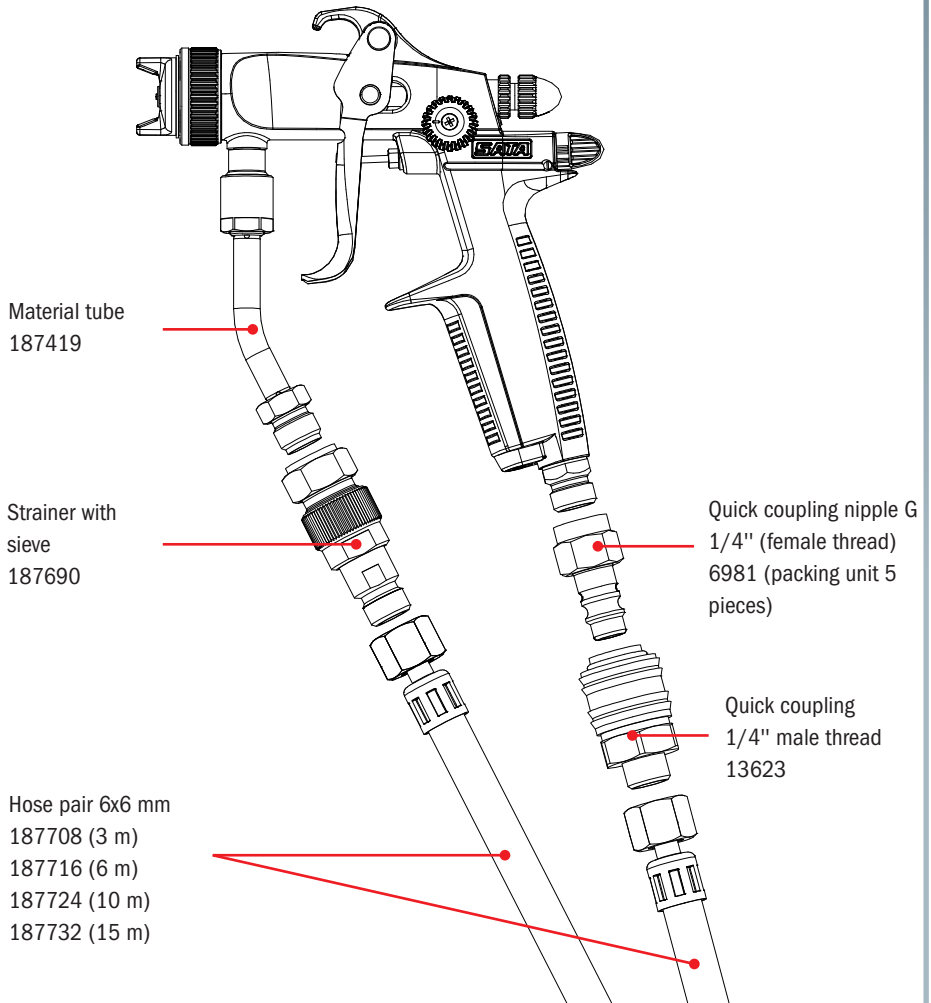
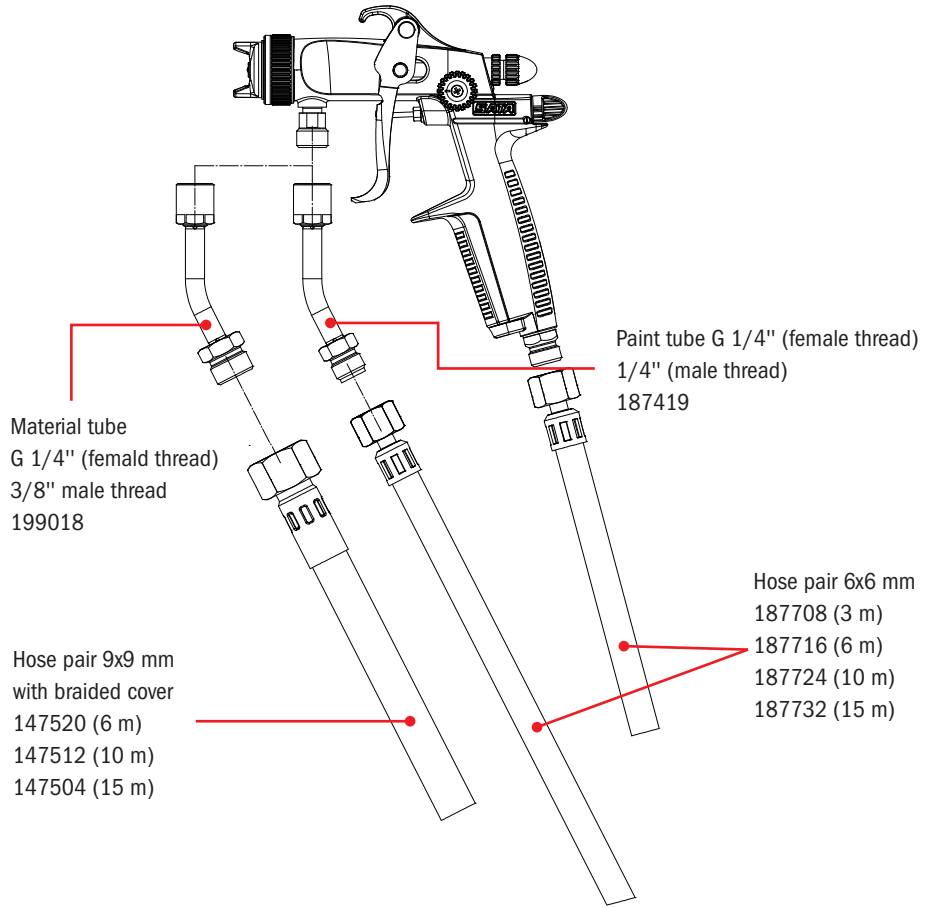
6981	SATA quick coupling nipple G 1/4" (female thread) (packing unit 5 pieces)
13623	SATA quick coupling 1/4" (male thread)
147504	SATA hose pair 9 x 9 mm, 15 m, with covering fabric netting, G 3/8" and G 1/2" (material), G 1/4" (air) (female thread)
147512	SATA hose pair 9 x 9 mm, 10 m, with covering fabric netting, G 3/8" and G 1/2" (material), G 1/4" (air) (female thread)
147520	SATA hose pair 9 x 9 mm, 6 m, with covering fabric netting, G 3/8" and G 1/2" (material), G 1/4" (air) (female thread)
187419	SATA paint tube G 1/4 female thread - 1/4" male thread
187690	SATA paint strainer 60 msh, 1/4" (male thread)
187708	SATA hose pair 6 x 6 mm, 3 m, G 1/4" (female thread) (material and air)
187716	SATA hose pair 6 x 6 mm, 6 m, G 1/4" and G 1/2" (material), G 1/4" (air) (female thread)
187724	SATA hose pair 6 x 6 mm, 10 m, G 1/4" and G 1/2" (material), G 1/4" (air) (female thread)
187732	SATA hose pair 6 x 6 mm, 15 m, G 1/4" and G 1/2" (material), G 1/4" (air) (female thread)
199018	SATA paint tube G 1/4" (female thread) - 3/8" (male thread)

Spare sieves

12260	Sieve 60 msh (packing unit 4 pieces)
12278	Sieve, 100 msh (packing unit 4 pieces)
74856	Strainer kit: Sieve 200 msh (4 pcs.) strainer holder (2 pcs.), screw (1 pcs.)

Hose pairs see page 123




All prices are recommended list prices. Errors, technical modifications and printing errors reserved.



NEW

Spray Gun Cases



Spray Gun Cases			
1079137	SATA case, umbra (47 x 37 x 18 cm), with print "SATAjet X 5500", incl. inserts for 5 spray guns		
1086976	Foam inlay, black, for 5 spray guns, incl. cover insert		
1080142	SATA case, umbra (30 x 23 x 13 cm), with print "SATAjet X 5500", incl. inserts for 2 spray guns		
1056268	Foam insert, black, for 2 spray guns, incl. cover insert		
1098989	SATA case olive-green (52 x 29 x 19 cm) with trolley function, without print, incl. insert for 5 paint spray guns		
167692	Foam insert, blue/black for 5 spray guns, without cover insert		

All prices are recommended list prices. Errors, technical modifications and printing errors reserved.

212316	SATA case olive-green (33 x 23 x 15 cm), without print, incl. insert for 2 paint spray guns		
212332	Foam insert, blue/black for 2 spray guns, incl. cover insert		
153288	SATA case, black (63 x 50 x 30 cm) with trolley function, without print, incl. individual insert		
1056565	SATA case, black (30 x 24 x 15 cm), with print "SATA", incl. inserts for 2 paint spray guns		
174128	SATA case, silver (45 x 33 x 15 cm), without print, incl. inserts for 5 spray guns		
169706	Foam insert, blue/black for 5 spray guns, incl. cover insert		
133355	SATA case, silver (50 x 35 x 200) with trolley function, without print, incl. inserts for 4 spray guns		
133363	Foam insert, pink for 4 spray guns, incl. cover insert		

All prices are recommended list prices. Errors, technical modifications and printing errors reserved.



Nozzle Sets and spare parts of discontinued gun models

SATAjet 5000 B RP PHASER | discontinuation end of 2026

Nozzle	1,2	1,2 W	1,3	1,3 cc
Art. No.	1006841	1006859	1006867	1006916

SATAjet 5000 B HVLP PHASER | discontinuation end of 2026

Nozzle	WSB	1,3	1,4	1,5
Art. No.	1006875	1006883	1006891	1006908

SATAjet 4000 B RP STANDARD / DIGITAL | discontinuation end of 2026

Nozzle	1,0	1,1	1,2	1,2 W	1,3	1,4	1,6	1,8	2,0	2,5
Art. No.	166991	167007	167015	167023	167049	167056	167072	167080	168625	168633

SATAjet 4000 B HVLP STANDARD / DIGITAL | discontinuation end of 2026

Nozzle	1,0	1,2	WSB	1,3	1,4	1,5	1,7	1,9	2,2
Art. No.	166926	166934	166983	166942	166967	166975	168658	168666	168674

SATAjet 3000 B RP (DIGITAL) | discontinuation end of 2027

Nozzle	1,0	1,1	1,2	1,3	1,4	1,6	1,8	2,0	2,5
Art. No.	132357	158667	132365	132373	132381	132399	132407	132415	132423

SATAjet 3000 B HVLP (DIGITAL) | discontinuation end of 2027

Nozzle	1,0	1,2	WSB	1,3	1,4	1,5	1,7	1,9	2,2
Art. No.	132910	132928	132993	132936	132944	132951	132969	132977	132985

SATAminijet 3000 B HVLP

Nozzle	0,3	0,5	0,8	1,0	1,1	0,8 SR	1,0 SR	1,2 SR	1,4 SR
Art. No.	125583	125591	125609	125617	125625				
						125682	125690	125708	125716

SATAjet B

Nozzle	1,0 E	MSB	1,4 E	1,5 E	1,7 E	2,0 W
Art. No.	4143	4127	3848	4119	4101	4093

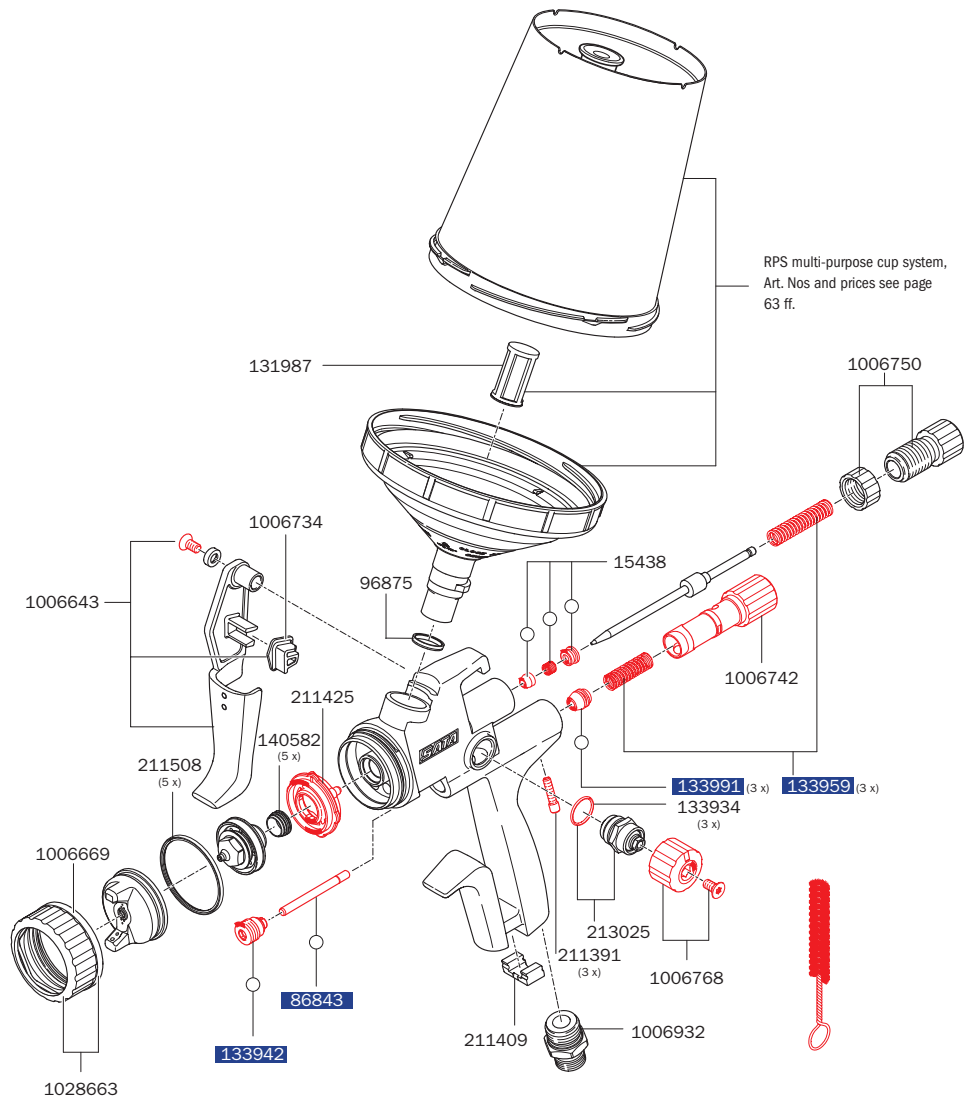
SATAjet GR

Nozzle	1,3 W	1,5 W	1,7 W	2,0 W	2,5 W	3,0 W
Art. No.	31252	31898	31997	4093	13003	13011

All prices are recommended list prices. Errors, technical modifications and printing errors reserved.

Spare parts SATAjet® 5000 B PHASER (discontinued gun model)

Art. No./Descr.
15438
Paint needle packing
86843
Air piston rod
96875
PVC insert for paint spray guns with QCC cup connection
131979
Spare flat sieve 125µm, pastel blue (packing unit 100 pieces)
131987
Spare plug-in sieve 200 µm, pastel green (packing unit 100 pieces)
133934
Sealing (packing unit 3 pieces) for spindle
133942
Seal retainer, cpl.
133959
Pressure spring (3 pieces) for paint needle and air piston
133991
Air piston head (packing unit 3 pieces)
140582
Sealing element (packing unit 5 pieces) for fluid tip
211391
Locking screw (packing unit 3 pieces) for air micrometer
211409
CCS-Clips, green, blue, red, black (packing unit 4 pieces)
211425
Air distribution ring (packing unit 3 pieces)
213025
Spindle, cpl., for round / flat spray control
211508
Sealing ring (packing unit 5 pieces)
1006643
Trigger kit
1006669
Kit consisting of coloured marking rings (blue, green, black, packing unit each 1 piece)
1006734
Trigger fixing clip
1006742
Air micrometer
1006750
Material flow control with counter nut
1006768
Control knob with screw (packing unit 2 pieces)
1006932
Air connection piece 1/4" male thread
1028663
Air cap ring, cpl. with color marking ring



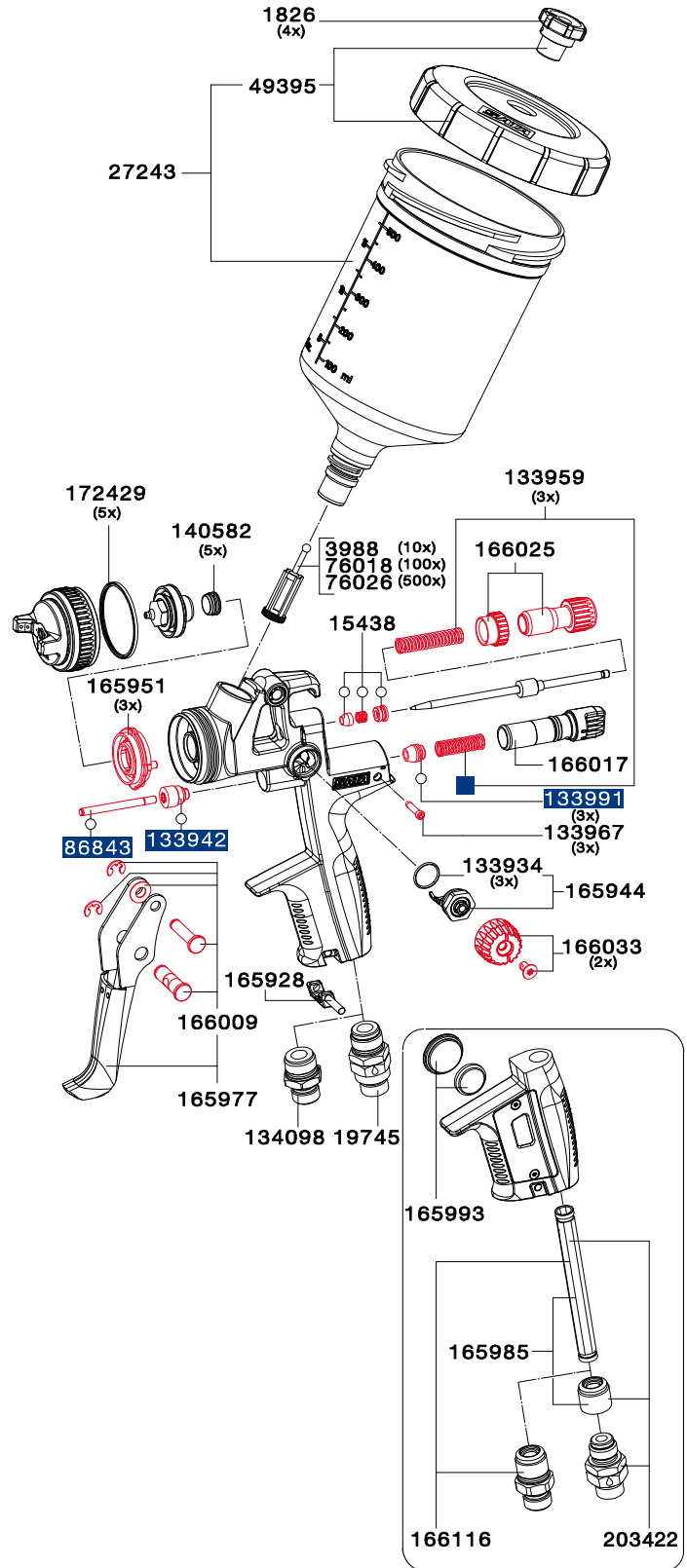
Art. No./Descr.	
211524	
Tool kit	
· Universal spanner	
· Combi tool	
· Cleaning brush	
· CCS clips	
· Paint strainer	
· Extraction tool	
1097379	Universal key kit (pack of 3 pieces)

Art. No./Descr.
1006809
Repair kit
82552
Air piston service unit
○ 136960
Sealing kit

All prices are recommended list prices. Errors, technical modifications and printing errors reserved.

Spare parts SATAjet® 4000 B (discontinued gun model)

Art. No./Descr.
1826 Anti-drip device (packing unit 4 pieces)
3988 Paint strainer, 300 µm (packing unit 10 pieces)
15438 Paint needle packing
19745 Swivel joint
27243 Reusable plastic cup, 0.6 l with QCC without fine thread
49395 Screw-on lid for 0.6 l PVC cup with drip-catching ring and non-drip device
76018 Paint strainer, 300 µm (packing unit 100 pieces)
76026 Paint strainer, 300 µm (packing unit 500 pieces)
86843 Air piston rod
133934 Sealing (packing unit 3 pieces) for spindle
133942 Seal retainer, cpl.
133959 Pressure spring (3 pieces) for paint needle and air piston
133967 Adjustment screw (packing unit 3 pieces) for air micrometer
133991 Air piston head (packing unit 3 pieces)
134098 Air connection piece 1/4" (male thread)
140582 Sealing element (packing unit 5 pieces) for fluid tip
165928 CCS Clips, green, blue, red, black (packing unit 4 pieces)
165944 Spindle for round/flat spray control >Quarter Turn<
165951 Air distribution ring (packing unit 3 pieces)
165977 Trigger kit
165985 Seal retainer with sleeve
165993 Battery kit
166009 Trigger sleeve kit
166017 Air micrometer
166025 Material flow control with counter nut
166033 Control knob with screw (each 2 pieces)
166116 Air connection with sleeve
172429 Sealing ring (packing unit 5 pieces)
203422 Seal retainer with sleeve and swivel joint



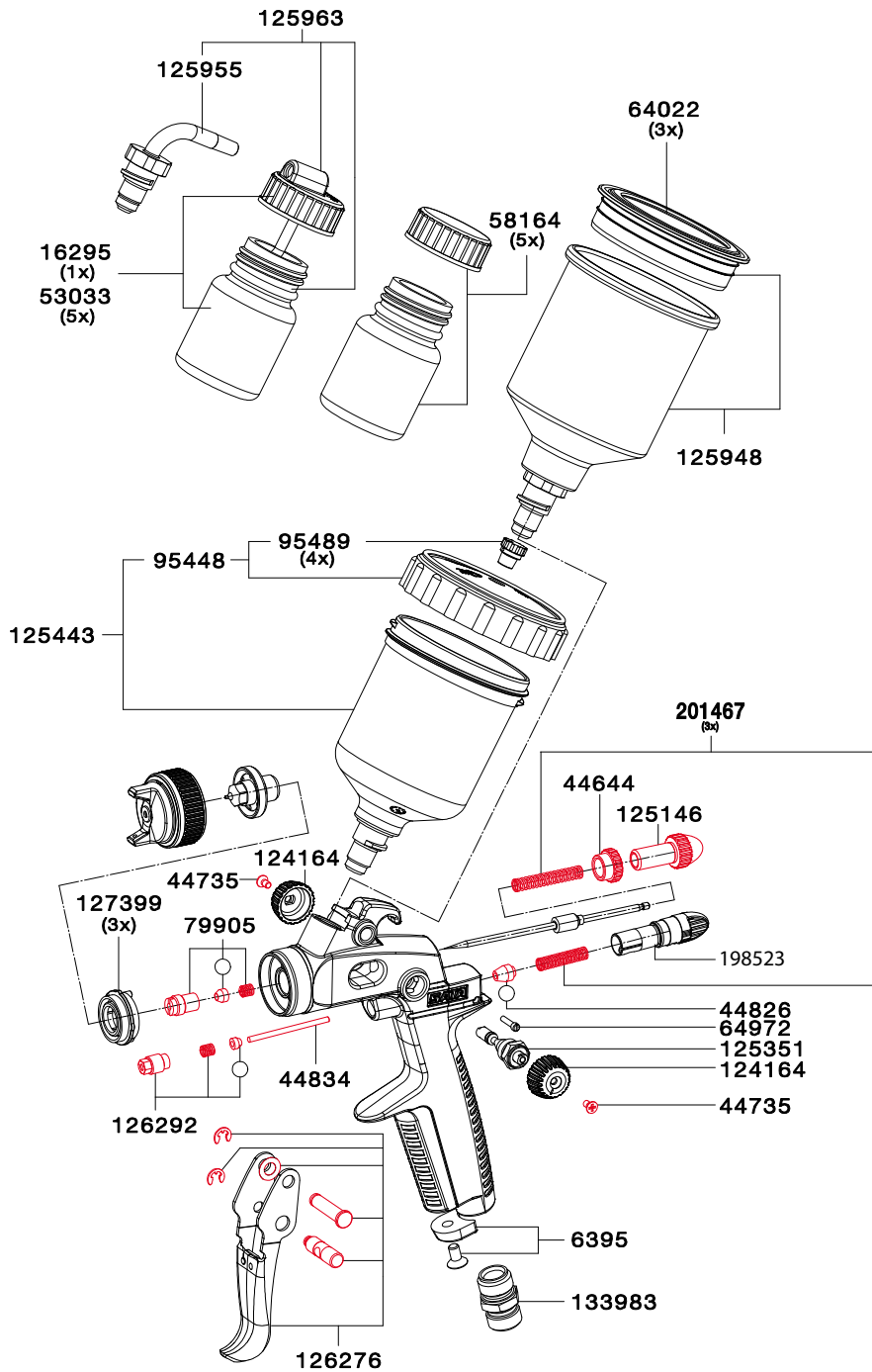
All prices are recommended list prices. Errors, technical modifications and printing errors reserved.

Art. No./Descr.
165936 Tool kit
· Universal spanner
· Combi tool
· Cleaning brush
· CCS clips
· Paint strainer
· Extraction tool

Art. No./Descr.
166058 Repair kit
82552 Air piston service unit
○ 136960 Sealing kit

Spare Parts SATAmijet® 3000 B HVLP (discontinued gun model)

Art. No./Descr.
6395 CCS Clips, green, blue, red, black packing unit 4 pieces)
44644 Counter nut
44735 Countersunk screw M 2.5 x 5, VA
44826 Air piston head
44834 Air piston rod
53033 25 ml glass cup with plug-in cup (packing unit 5 pieces)
58164 25 ml glass cup with blind lid (packing unit 5 pieces)
64022 Plastic lid (3 pieces)
64972 Adjustment screw for air micrometer
79905 Paint needle packing
95448 Screw-on lid 125 ccm PVC cup with anti-drip device
95489 Anti-drip device (4 pieces)
124164 Control knob
125146 Material flow control screw
198523 Air micrometer, complete
125351 Spindle SATAmijet 3000 B HVLP, minijet 4 HVLP
125443 Reusable plastic cup, 0.125 l with QCC and fine thread
125948 0.15 l QCC reusable aluminium cup, cpl.
125955 Plug-in cup connection with QCC SATAjete 20 B, dekor 2000, minijet 3000 B HVLP, minijet 4 HVLP
125963 25 ml glass cup with plug-in lid (packing unit 5 pieces) and QCC plug-in connection (packing unit 1 piece)
126276 Trigger kit
126292 Packing kit air piston rod SATAmijet 3000 B HVLP, minijet 4 HVLP
127399 Air distribution ring (packing unit 3 pieces)
133983 Air connection piece 1/4" male thread
201467 Pressure spring (each 3 pieces) for paint needle and air piston



Art. No./Descr.
125856 Tool kit
<ul style="list-style-type: none"> · Extraction tool · Cleaning brush · Wrench · Universal spanner

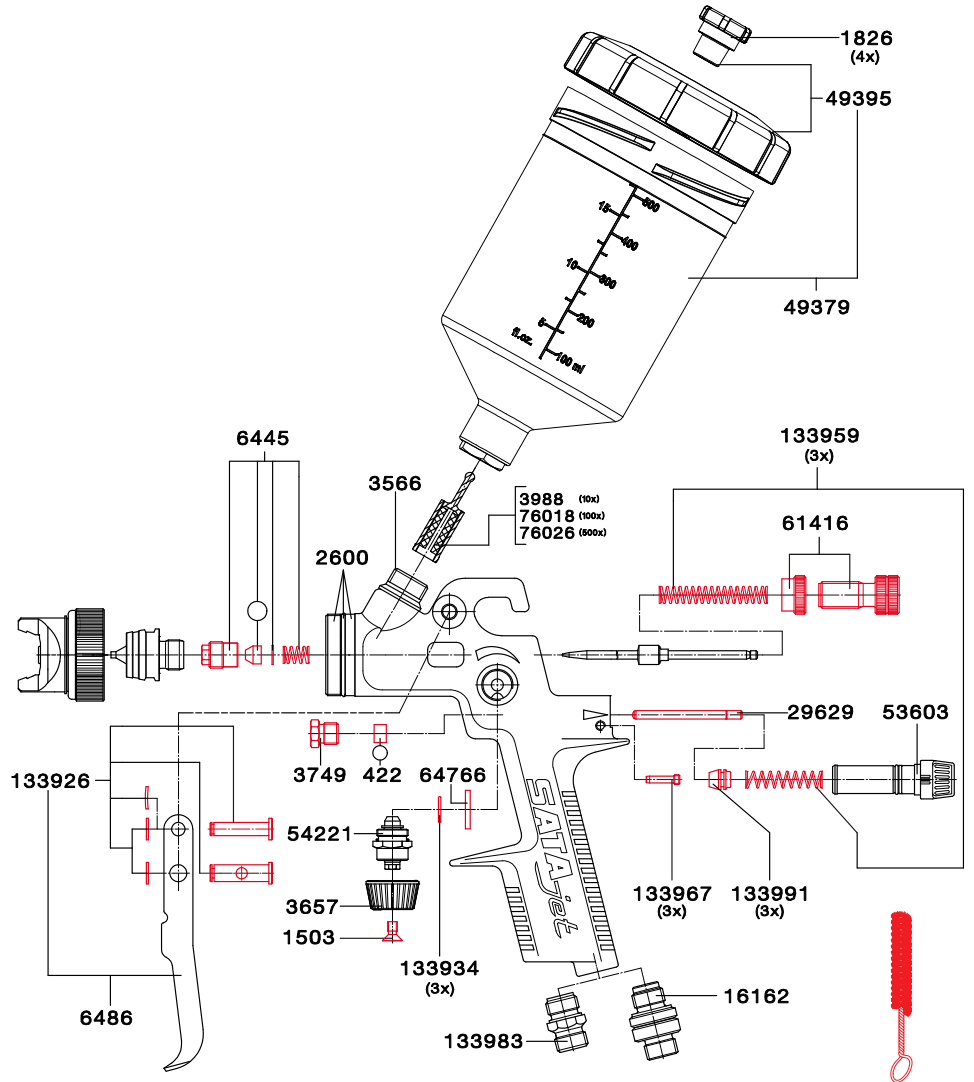


Art. No./Descr.
126284 Repair kit
○ 50658 Sealing kit

All prices are recommended list prices. Errors, technical modifications and printing errors reserved.

SATAjet® B / SATAjet® GR (discontinued gun model)

Art. No./Descr.
422
Gasket for air piston
1503
Countersunk screw M4 x 8 DIN 965, stainless steel, for micrometer und round/flat spray control
1826
Anti-drip device (packing unit 4 pieces)
2600
Service unit for nozzle insert for SATAjet/B, H, K and NR 92, consisting of nozzle insert, distribution plate and sealing ring
3566
Inlet nipple
3657
Control knob
3749
Stuffing box for air piston SATAjet, KL, HKD and MC-B
3988
Paint strainer, 300 µm (packing unit 10 pieces)
6445
Paint needle packing
6486
Trigger kit
16162
Swivel joint
29629
Air piston rod
49379
0.6 l reusable plastic cup, cpl.
49395
Screw-on lid for 0.6 l PVC cup with drip-catching ring and non-drip device
53603
Air micrometer
54221
Spindle complete, for SATAjet/90, SATAjet, regulation valve and MC-B
61416
Material flow control with counter nut
64766
Washer
76018
Paint strainer, 300 µm (packing unit 100 pieces)
76026
Paint strainer, 300 µm (packing unit 500 pieces)
133926
Trigger sleeve kit
133934
Sealing (packing unit 3 pieces) for spindle
133959
Pressure spring (3 pieces) for paint needle and air piston
133967
Adjustment screw (packing unit 3 pieces) for air micrometer
133983
Air connection piece 1/4" male thread
133991
Air piston head (packing unit 3 pieces)



All prices are recommended list prices. Errors, technical modifications and printing errors reserved.

Art. No./Descr.
9654
Tool kit
· Paint strainer
· Cleaning brush
· Socket wrench 7 mm width
· Internal hexagonal wrench 2/4 mm width
· Universal spanner

Art. No./Descr.
69666
Repair kit
○ 9829
Sealing kit

SATA adam 2, SATA adam 2 black

SATA adam 2, SATA adam 2 black

Technical Data	Maximum operating pressure: 10.0 bar
	Max. operating temperature: 60 °C
	Display accuracy: +/- 0.05 bar



Available versions

211540	SATA adam 2 >bar< for SATAjet 5000 series		
1031723	SATA adam 2 black >bar< for SATAjet 5000 series		
160846	SATA adam 2 >bar< for SATA spray guns except for SATAminijet and SATAjet 5000 series		
160879	SATA adam 2 mini >bar< for SATAminijet spray guns		
195214	SATA adam 2 U (air micrometer with adam 2 display bar)		



Spare parts SATA adam 2

160689	SATA adam 2 display "bar"		
1031682	SATA adam 2 black display "bar"		
160739	Battery kit for SATA adam 2		
160788	SATA adam 2 dock for SATA spray guns except for SATAminijet and SATAjet 5000 series		
160796	SATA adam 2 dock (packing unit 2 pieces) for SATA spray guns except for SATAminijet and SATAjet 5000 series		
211565	SATA adam 2 dock for SATAjet 5000 series		
211573	SATA adam 2 dock (packing unit 2 pieces) for SATAjet 5000 series		
160861	SATA adam 2 mini dock for SATAminijet spray guns		
195230	SATA adam 2 U dock (air micrometer 1/4" male thread and G 1/4" female thread with SATA dock)		
162164	Locking clip (packing unit 5 pieces) for SATA adam 2		
162172	O-ring (packing unit 2 pieces) for SATA adam 2		






All prices are recommended list prices. Errors, technical modifications and printing errors reserved.

Digital/Analogue pressure display with SATA




Accessories

162081	SATA dock protect (packing unit 5 pieces) for SATA adam 2	
195925	SATA dock with 1/8" (male thread)	
203117	Reducing piece 1/4" (male thread) and G 1/8" (female thread)	

For more information on SATA pressure measuring devices, please contact your SATA dealer or visit www.sata.com

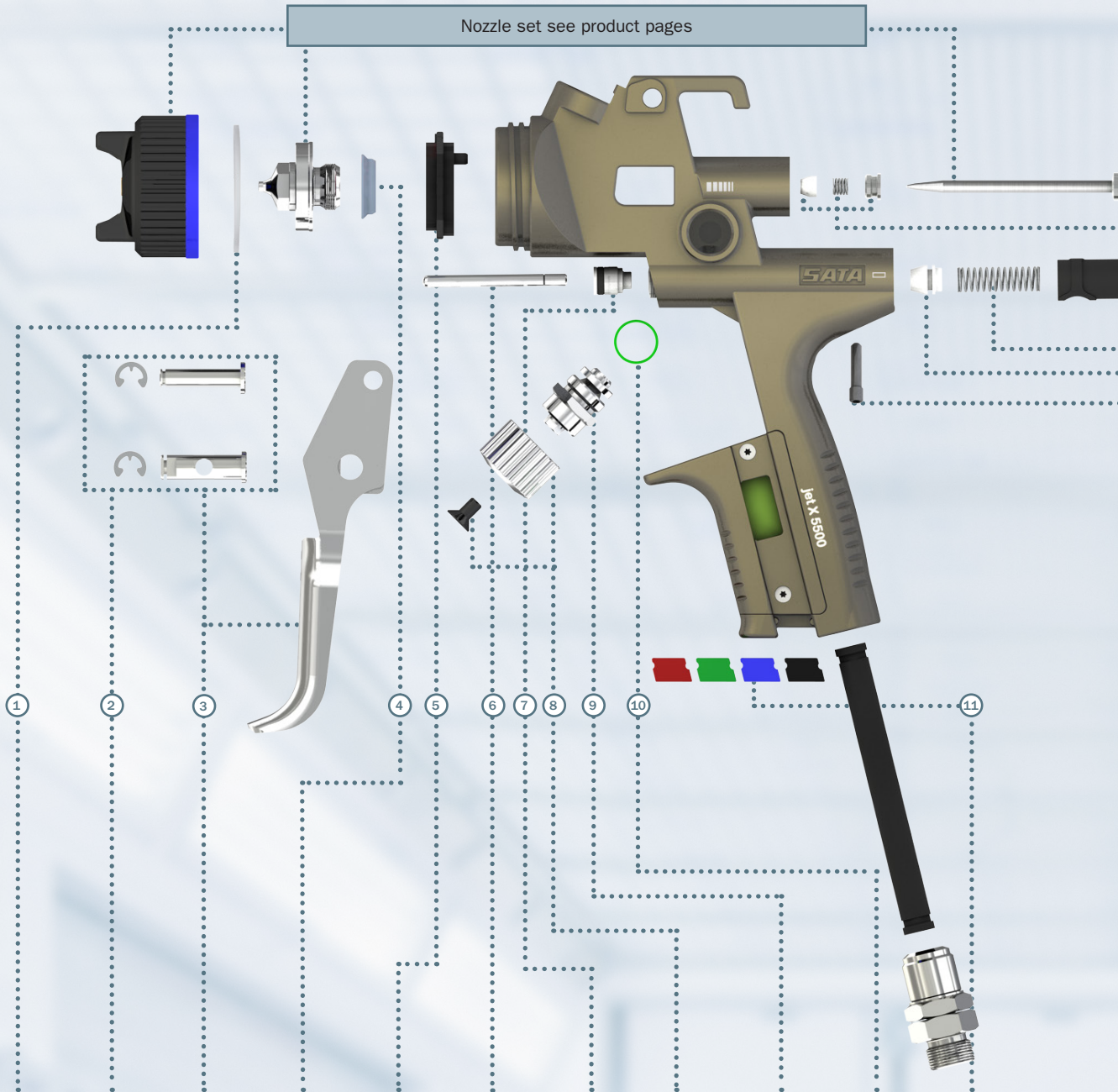
		SATAjet X 5500 / SATAjet 5000 B PHASER / SATAjet 5000 B	SATAjet 4000 B	SATAjet 3000 B	SATAjet 1000 B	SATAjet 100 B	SATAjet B, SATAjet GR	SATAmijnjet 4400 B, SATAmijnjet 3000 B, SATAmijnjet 4	SATA dry jet	Competitor spray guns	Retrofitting micrometer with pressure gauge #27771	Retrofitting atomisation air control gauge #4002	Filters and systems with G 1/8" female thread
	211540 adam 2	1031723 adam 2 black	X	-	-	-	-	-	-	-	-	-	-
	160846 adam 2		-	X	X	X	X	-	-	-	-	-	-
	160879 adam 2 mini		-	-	-	-	-	X	-	-	-	-	-
	195214 adam 2 U		X	X	X	X	X	X	X	X	-	-	-
	195925 SATA dock with 1/8" male thread		-	-	-	-	-	-	-	-	X	X	X

Pressure manometer and micrometer

27771	SATA air micrometer with gauge, 1/4" (male thread and G 1/4" (female thread)	
4002	Spray pressure control unit	
9860	SATA air micrometer 0-845, 1/4" (male thread) and G 1/4" (female thread)	

All prices are recommended list prices. Errors, technical modifications and printing errors reserved.

Spare Parts for SATA Spray Guns with Gravity Flow Cup I



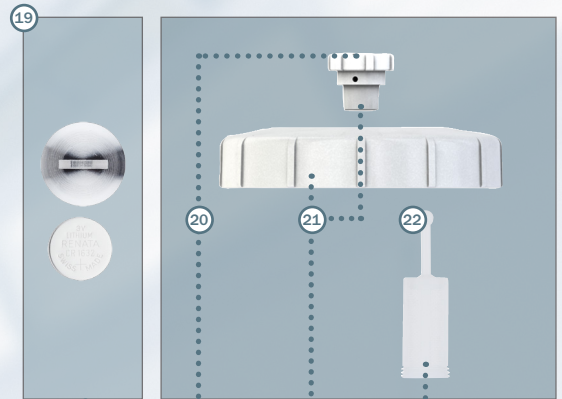
	1	2	3	4	5	6	7	8	9	10	11
Description	Seal ring	Trigger sleeve kit	Trigger kit	Seal element fluid tip	Air distribution ring	Air piston rod	Seal retainer	Control knob	Spindle with seal	Spindle seal	CCS clips
Gun type											
X 5500		211458	211433					1057357			
X 5500 PHASER	211508	-	1092973					1092999	213025		211409
5000 B		211458	211433		211425	86843		211482			
4000 B	172429	166009	165977	140582	165951		133942	166033	165944	133934	165928
100 B											
1000 B	130393	133926	130492		143230	91959		140574	89771		6395
minijet 4400 B	200907	199463	198473	199455	197467	198408	199414	200162	198549	199471	197418

Spare Parts for SATA Spray Guns with Gravity Flow Cup II



Air connection piece						
Spray gun	Standard jet X 5500 PHASER	Standard	Standard swivel joint	DIGITAL	DIGITAL swivel joint with seal retainer and sleeve	Seal retainer with sleeve*
X 5500	-	134098	19745	211490	211516	211441
X 5500 PHASER	1092981	-		-	-	-
5000 B	-	134098	19745	211490	211516	211441
4000 B	-			166116	203422	165985
100 B	-	133983	16162	-	-	-
1000 B	-			-	-	-
minijet 4400 B	-			-	-	-

* only for DIGITAL with swivel joint



12	13	14	15	16	17	18	19	20	21	22	Description	
Locking screw	Air piston head	Pressure spring air piston	Air micrometer (air flow control knob)	Paint needle packing	Material flow control	Pressure spring paint needle	Battery kit	Anti-drip device	Screw-on lid	Strainer 300µm	Gun type	
211391	133991	133959*	211466	15438	211474	133959*	1057414	1826	49395	3988 (10x) 76018 (100x) 76026 (500x)		X 5500
			1093012		1093004		-					X 5500 PHASER
211466			211474		213769		5000 B					
166017			166025		165993		4000 B					
133967	199448	201467*	139964	199414	139188	-	-	-	-	-		100 B
199430			199448		201467*							198523

* in a set









Accessories for Spray Guns Part I

Air connection			
6981	SATA quick coupling nipple G 1/4" (female thread) (packing unit 5 pieces)		
99895	Flexible quick coupling nipple G 1/4" (female thread)		
Storage			
9886	SATA gravity gun holder for gravity cup spray guns		
40188	SATA spray gun display holder		
192195	SATA universal spray gun and hose holder for all SATA spray guns		
69328	SATA spray gun holder for SATAminijet 4400 B, minijet 3000 B, jet 20 B		
134916	Triple spray gun holder for wall mounting		
134882	Spray gun holder with strainer holder		
134932	Insert for spray gun holder with strainer holder for SATAminijet		
1750	Spray gun holder, complete		
186833	Spray gun stand acrylic w 10 x h 7.5 x d 14 cm		

Further quick couplings see page 123.








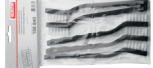
All prices are recommended list prices. Errors, technical modifications and printing errors reserved.

Accessories for Spray Guns Part II

Quality Control			
161596	SATA cert, with archive, spray pattern block, single sheet holder and distance marker		
161646	Spray pattern blocks with 25 sheets (packing unit 2 pieces) for SATA cert		
161661	Distance marker for SATA cert		
Other Accessories			
3988	Paint strainer, 300 µm (packing unit 10 pieces) for SATA spray guns except for SATAminijet		
76018	Paint strainer, 300 µm (packing unit 100 pieces)		
76026	Paint strainer, 300 µm (packing unit 500 pieces)		
9845	SATA viscosity cup 4.0 mm, flow time tolerance < 1 sec.		
9852	SATA viscosity cup 4.0 mm, flow time tolerance < 1.5 sec.		
59675	SATA dosenboy, to cut out can lids from cans up to 36 cm height		
59659	Wheel for SATA DOSENBOY		
59667	Blade for SATA dosenboy		
16477	SATA compressed air-driven hand agitator		
1040815	Air cap protector UV, black (packing unit 5 pieces) for SATAjet 3000, 4000, 5000 series		
1040807	Air cap protector UV, black (packing unit 5 pieces) for SATAjet 100 and 1000 series		
1044594	Air cap protector UV, black (packing unit 5 pieces) for SATAminijet 4400 B		
1054006	Air cap protector, black (packing unit 5 pieces) for SATAjet 3000, 4000, 5000 series		
1054014	Air cap protector, black (packing unit 5 pieces) for SATAjet 100 and 1000 series		
1054030	Air cap protector, black (packing unit 5 pieces) for SATAminijet 4400 B		
1054022	Air cap protector, black (packing unit 5 pieces) for SATAminijet 1000/3000 B		

All prices are recommended list prices. Errors, technical modifications and printing errors reserved.

Spray gun Cleaning and Maintenance Part I

Cleaning and Maintenance		
60095	SATAclean wet holding tray for 3 spray guns	
Cleaning accessories		
162628	SATA care set spray gun care bag containing 1 large cleaning brush, 5 medium-sized cleaning brushes, 5 double-sided cleaning brushes, 12 nozzle cleaning needles, 1 tube high performance grease, silicone- and acid-free, 100 g	
48173	SATA high performance grease, silicone- and acid-free, 100 ml for spray guns Please observe: The supplied product has a limited use-by date!	
9894	SATA nozzle cleaning needles (pack of 36 pieces, packed to 12 pieces each)	
62174	SATA nozzle cleaning needles (pack of 12 pieces)	
64030	SATA cleaning kit with 2 cleaning brushes, medium and 12 nozzle cleaning needles	
6007	Cleaning brush (packing unit 10 pieces) for spray guns	
9209	Cleaning brush, double-sided (pack of 10 pieces) for spray guns	
158840	Cleaning brush, large (packing unit 5 pieces) for spray guns	
29280	Cleaning brush (packing unit 10 pieces) for suction pipe of suction cup spray guns	

Please also observe the SATA cleaning devices on page 118.

Disassembly of nozzle set



1 First remove paint needle.



2 Followed by the cap.

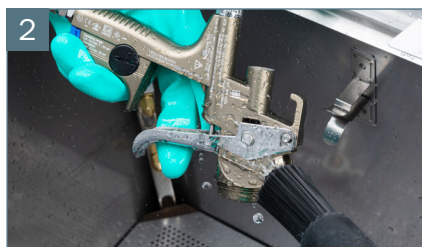


3 And finally, unscrew fluid tip with the ring spanner integrated in the universal spanner.

Cleaning and drying



1 Clean the material passage



2 Clean the spray gun body



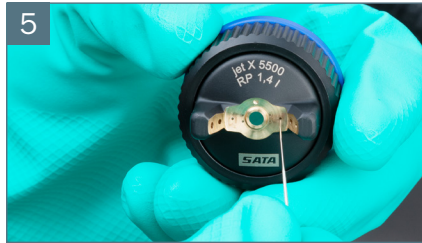
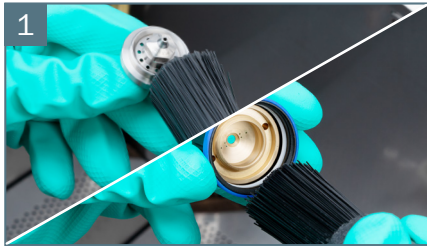
3 Dry with blow gun

When cleaning the spray gun manually, please ensure not to use brushes made of metal wires which could possibly damage the spray gun. Furthermore, please make sure that no cleaning fluid ends up in the air passages of the spray gun body.

All prices are recommended list prices. Errors, technical modifications and printing errors reserved.

Spray gun Cleaning and Maintenance Part II

Cleaning of the nozzle set



When cleaning the nozzle components, please make sure that metal parts of brushes do not damage the nozzle set. Ideally, please use specially designed SATA cleaning brushes and SATA nozzle cleaning needles to ensure optimum cleaning and maintenance of the nozzle set.

Please watch our video at www.sata.com/TV concerning "Cleaning and Maintenance of Spray Guns". Or simply order the cleaning brochure (Art. No. 158162) or the cleaning poster (Art. No. 168070) free of charge!

www.sata.com/firstaid

Assembly and maintenance



Assembly of the fluid tip



Tighten fluid tip by hand using the universal spanner.



Assembly of the air cap



Grease paint needle around the needle packing area



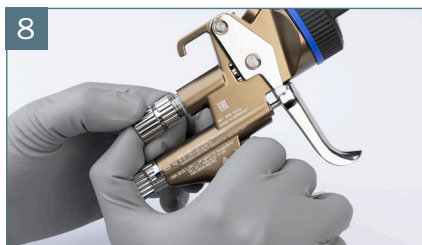
Insert paint needle



Grease and insert paint needle spring



Grease thread of material flow control screw



Install material flow control screw



Grease visible part of air piston rod

All prices are recommended list prices. Errors, technical modifications and printing errors reserved.